

Verona

Instruction Book

AUSTRALIA



Lacunza congratulates you on your choice.
Certified under ISO 9001, Lacunza guarantees the quality of its appliances and undertakes to meet the needs of its customers.
Confident of the know-how afforded by more than 50 years' experience, Lacunza uses advanced technologies in the design and manufacture of its entire range of appliances. This document will help you install and use your appliance in optimum conditions for your comfort and safety.

CONTENTS

1. PRESENTATION OF THE APPLIANCE	3
1.1. General characteristics.....	3
2. INSTRUCTIONS FOR THE INSTALLER.....	8
2.1. Warning to installers	8
2.2. Room for installation.....	8
2.2.1. Location of the appliance in the room.....	8
2.3. Installation of the appliance.....	8
2.3.1. Floor.....	8
2.3.2. Safety distances.....	8
2.3.3. Elevation clearance	9
2.3.4. Checks before lighting for the first time.....	10
2.3.5. Height adjustment and levelling the appliance	10
2.3.6. Connection to the flue.....	10
2.3.7. Piping air to the firebox.....	10
2.4. Chimney flue.....	11
2.4.1. Type of flue.....	11
2.4.2. Chimney crown.....	12
3. INSTRUCTIONS OF USE.....	14
3.1. Fuel.....	14
3.2. Description of the parts of the appliance	15
3.2.1. Operating components.....	15
3.3. Lighting.....	16
3.4. Loading fuel	16
3.5. Operation	16
3.6. Removing ash	17
3.7. Deflectors.....	17
4. MAINTENANCE AND IMPORTANT ADVICE.....	19
4.1. Maintenance of the appliance.....	19
4.1.1. Firebox	19
4.1.2. Inside the appliance	19
4.1.3. Flue socket	19
4.1.4. Painted sheet-steel-cast-iron parts.....	19



4.1.5. Firebox glass.....	19
4.1.6. Air intake registers	19
4.2. Maintenance of the chimney flue.....	20
4.3. Important advice.....	20
5. TROUBLESHOOTING.....	21
6. BASIC BREAKDOWNS	22
7. CERTIFICATE OF COMPLIANCE	23

1. PRESENTATION OF THE APPLIANCE

For optimum operation of the appliance, we advise you to read this manual carefully before switching on the appliance for the first time. In case of problems or concerns, we urge you to contact your dealer, who will cooperate with you.

In order to improve the product, the manufacturer reserves the right to make changes without notice by updating this document.

This appliance is designed to burn wood in absolutely safe conditions.

WARNING: Faulty installation may have serious consequences.

Installation and all necessary regular maintenance operations must be performed by an authorized installer in full accordance with the specifications set out in the legislation applicable in each country and this instruction book.

1.1. General characteristics

	Unit	Verona 800 Verona 801	Verona 1000 Verona 1001 Verona 1003	
MAXIMUM AVERAGE HEAT OUTPUT BURNING HARDWOOD	kW	9.9	15.6	
OVERALL AVERAGE EFFICIENCY BURNING HARDWOOD	%	64	60	
PARTICULATE EMISSIONS FACTOR	g/kg	0.9	0.9	
HIGH BURN	Average power (high primary air settings)	kW	9.9	15.6
	Average Peak Power	kW	15.8	19.9
	Efficiency (high primary air settings)	%	57	54
	Average dry fuel consumption rate (high primary air settings)	Kg/hr	3.2	5
	Particulate emission factor oven dry wood (high primary air settings)	g/kg	0.8	0.7
MEDIUM BURN	Average power (medium primary air settings)	kW	8.1	10.8
	Efficiency (medium primary air settings)	%	66	62
	Average dry fuel consumption rate (medium primary air settings)	Kg/hr	2.3	3.1
	Particulate emission factor oven dry wood (medium primary air settings)	g/kg	0.8	1
LOW BURN	Average power (low primary air settings)	kW	6.4	8.1
	Efficiency (low primary air settings)	%	68	63
	Average dry fuel consumption rate (low primary air settings)	Kg/hr	1.7	2.2
	Particulate emission factor oven dry wood (low primary air settings)	g/kg	1.0	1.1
Dimensions of the firebox				
Width	mm	650	850	
Depth	mm	410	400	
Useful height	mm	309	309	
Length of the logs	cm	30	30	
Capacity of the ashpit	L	1.6	1.6	
Weight	kg	130	140	
Flue socket diameter	mm	200	200	

WARNINGS

KEEP THESE INSTRUCTIONS FOR FUTURE REFERENCE!

WARNING: THE APPLIANCE AND FLUE SYSTEM SHOULD BE INSTALLED IN ACCORDANCE WITH AS/NZS 2918 AND THE APPROPRIATE REQUIREMENTS OF THE RELEVANT BUILDING CODE OR CODES.

WARNING: APPLIANCES INSTALLED IN ACCORDANCE WITH AS/NZS 2918 SHOULD CONFORM TO THE REQUIREMENTS OF AS/NZS 4013 AND AS/NZS 4012 WHERE REQUIRED BY THE REGULATORY AUTHORITY. THE APPLIANCE SHOULD BE IDENTIFIABLE BY A CONFORMANCE PLATE MARKED 'TESTED TO AS/NZS 4013 AND AS/NZS 4012' AS SPECIFIED IN AS/NZS 4012 ANY MODIFICATION OF THE APPLIANCE THAT HAS NOT BEEN APPROVED IN WRITING BY THE TESTING AUTHORITY IS CONSIDERED TO BE IN BREACH OF THE APPROVAL GRANTED FOR CONFORMANCE TO AS/NZS 4013.

WARNING: ANY MODIFICATION OF THE APPLIANCE THAT HAS NOT BEEN APPROVED IN WRITING BY THE TESTING AUTHORITY IS CONSIDERED NOT CONFORMING TO AS/NZS 4013.

WARNING: DO NOT USE FLAMMABLE LIQUIDS OR AEROSOLS TO START OR REKINDLE THE FIRE.

WARNING: DO NOT USE FLAMMABLE LIQUIDS OR AEROSOLS IN THE VICINITY OF THIS APPLIANCE WHEN IT IS OPERATING.

WARNING: DO NOT STORE FUEL WITHIN HEATER INSTALLATION CLEARANCES.

WARNING: WHEN OPERATING THIS APPLIANCE AS AN OPEN FIRE, USE A FIRE SCREEN.

WARNING: OPEN THE AIR CONTROL (AND DAMPER WHEN FITTED) BEFORE OPENING THE FIRING DOOR

WARNING: DO NOT BURN WOOD THAT IS PAINTED, COATED WITH PLASTIC, OR HAS BEEN TREATED WITH ANY CHEMICAL.

CAUTIONS

CAUTION: MIXING APPLIANCE OR FLUE SYSTEM COMPONENTS FROM DIFFERENT SOURCES OR MODIFYING THE DIMENSIONAL SPECIFICATION OF COMPONENTS MAY RESULT IN HAZARDOUS CONDITIONS. WHERE SUCH ACTION IS CONSIDERED, THE MANUFACTURER SHOULD BE CONSULTED IN THE FIRST INSTANCE.

CAUTION: CRACKED AND BROKEN COMPONENTS, FOR EXAMPLE, GLASS PANELS OR CERAMIC TILES, MAY RENDER THE INSTALLATION UNSAFE

CAUTION: DO NOT OPERATE THIS APPLIANCE IF GLASS IS CRACKED OR BROKEN.

CAUTION: THIS APPLIANCE SHOULD BE MAINTAINED AND OPERATED AT ALL TIMES IN ACCORDANCE WITH THESE INSTRUCTIONS.

Warning: this appliance is designed and prepared to work with the types of fuel, degree of humidity of the fuel, fuel loads, fuel load frequencies, flue draught and system of installation indicated in this Instruction Book. Failure to respect these conditions may lead to problems with the appliance (deterioration, shorter useful life, etc.) which are not covered by the Lacunza warranty.

To obtain these data, tests have been done on the standards AS/NZS 4012 (2014), AS/NZS 4013 (2014) and AS/NZS 2918 (2018), with eucalyptus wood.

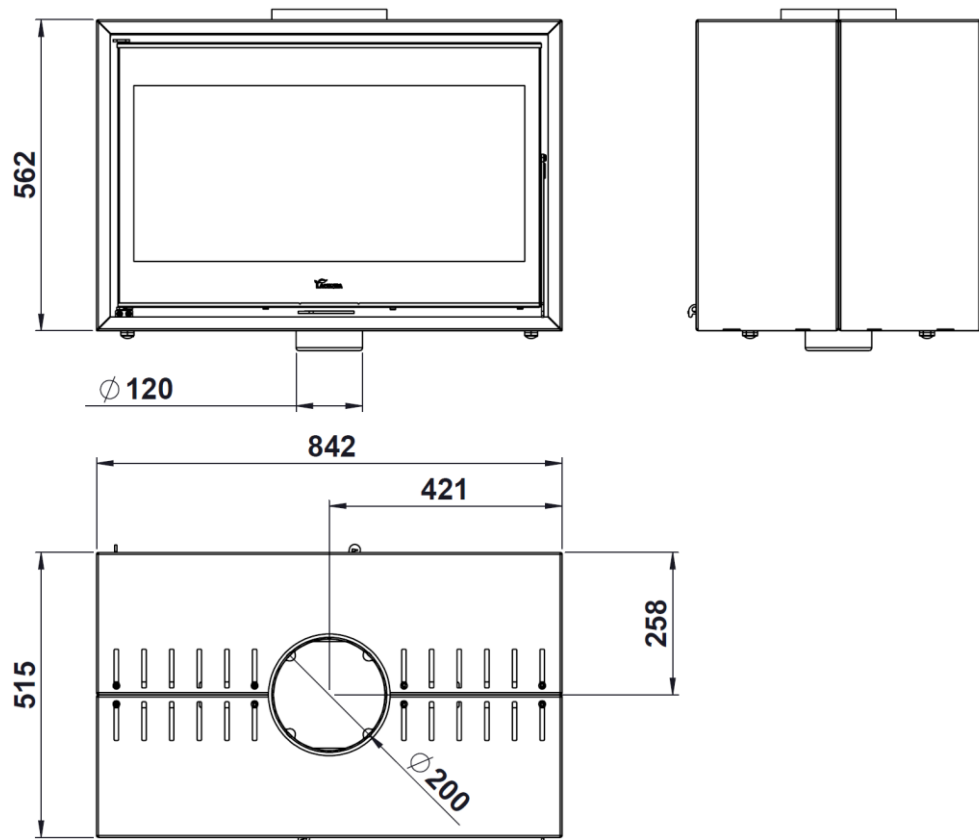


Figure No.1 - Dimensions of the Verona 800 appliance in mm

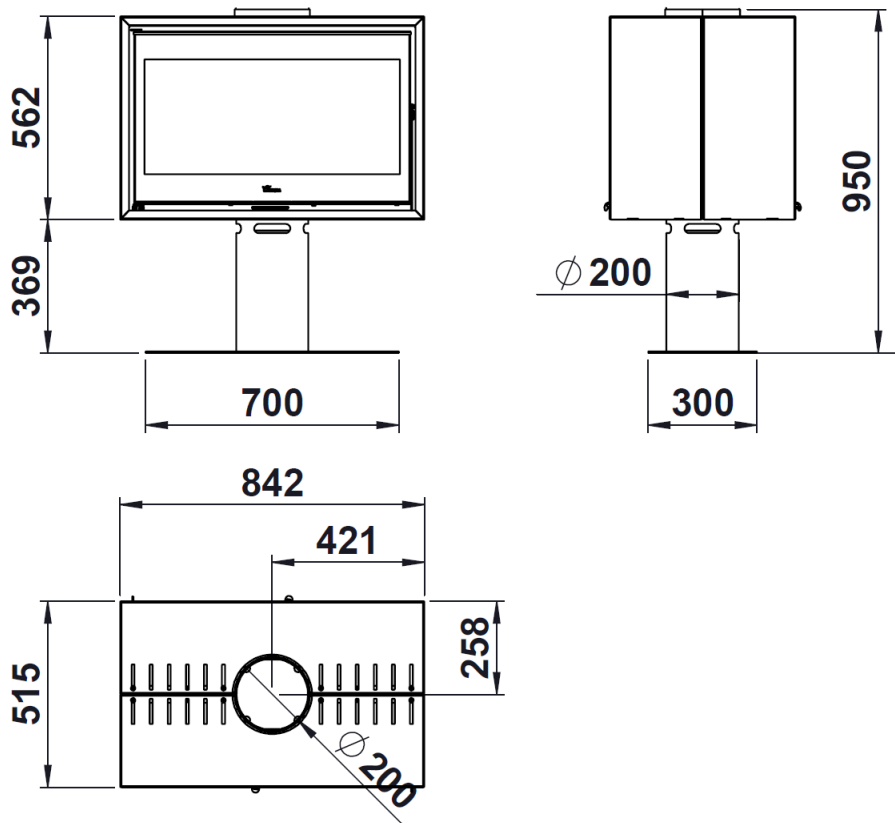


Figure No.2 - Dimensions of the Verona 801 appliance in mm

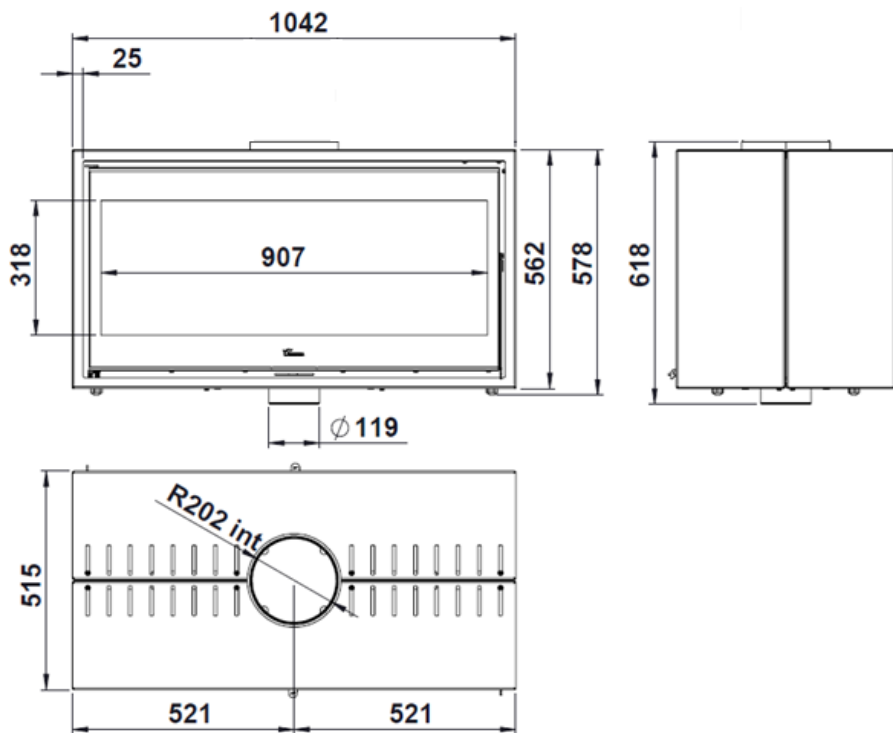


Figure No.3 - Dimensions of the Verona 1000 appliance in mm

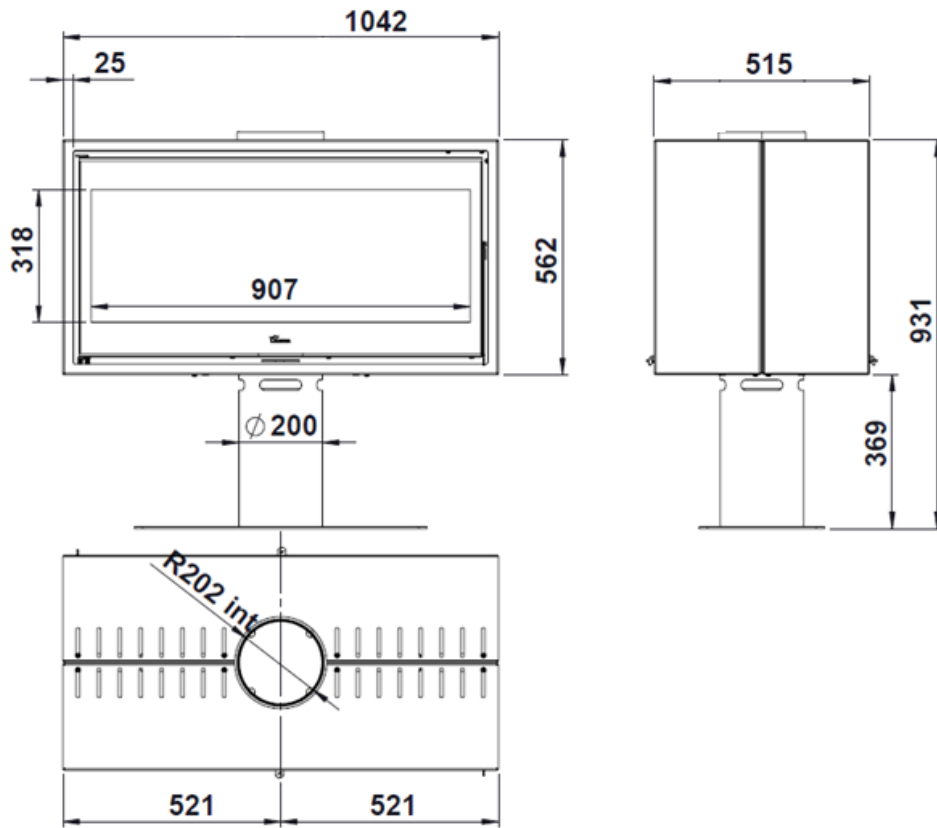


Figure No.4 - Dimensions of the Verona 1001 appliance in mm

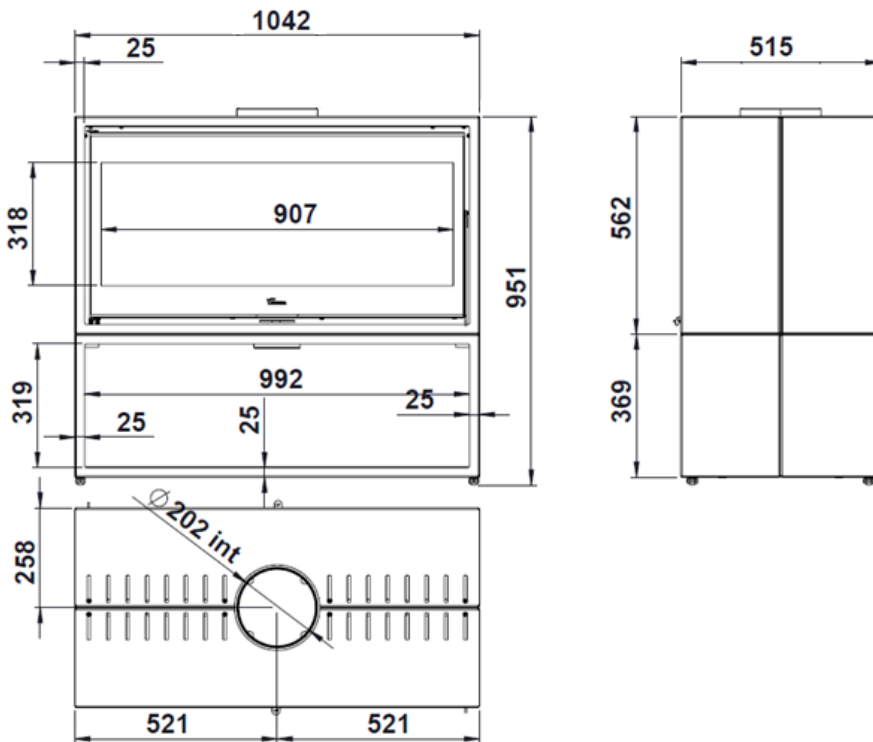


Figure No.5 - Dimensions of the Verona 1003 appliance in mm

2. INSTRUCTIONS FOR THE INSTALLER

2.1. Warning to installers

All local and national regulations, including all those referring to national and European standards, must be observed when installing the appliance.

Installation of the appliance must be performed by an authorised installer.

An incorrectly installed appliance may lead to serious incidents (fires, creation of harmful gases, deterioration of nearby fixtures, etc.).

Lacunza's liability is limited to the supply of the material and does not include installation of the appliance.

2.2. Room for installation

This appliance must be installed in compliance with AS/NZS 2918 (or latest version) and all applicable building regulations. Ensure provision of adequate ventilation or external air supply to the room in which the appliance is installed. Insufficient air supply or blockage of the flue may result in inefficient combustion, smoke in the room, elevated emissions and unsafe operation. Use only dry, seasoned wood, and operate the air controls as instructed. Regularly inspect and clean the flue system. Installation and servicing must be carried out by a qualified installer.

2.2.1. Location of the appliance in the room

Choose a location in the room which favours good hot-air distribution by convection and radiation.

2.3. Installation of the appliance

2.3.1. Floor

Make sure that the base can withstand the total constructed weight of the appliance and its casing.

The apparatus should not be placed on combustible material.

In the case of the Verona 1001 appliance, as a safety measure it is recommended to fasten it to the ground using 4 screws. It has semi-cut holes in the base to perform this operation.

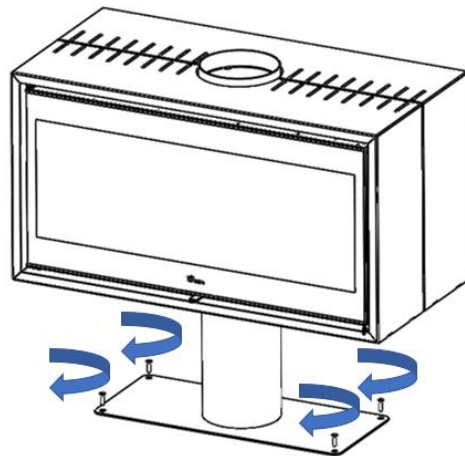


Figure No.6 - Fastening the Verona appliance to the floor

2.3.2. Safety distances

Be sure to respect the appliance installation distances from **combustible materials**.

Verona 800/801

A minimum 520mm deep x 720mm wide x 50mm thick floor protector (Skamol board) should be used under the appliance base when installing the appliance (see joint AS/NZS 2918:2018 3.3.2). A minimum 450mm deep x 1110mm wide x 36mm thick floor protector (compressed board) should be used in front of each of the appliance doors and be placed centrally in the 1110mm width. The Thermal resistivity of the 50mm skamol board floor protector is

0.74m².K/W. The Thermal resistivity of the floor protector is 0.16m².K/W for 36mm thick compressed board sheets. Minimum air gap of 40mm must be maintained under the appliance base to the Skamol floor protector.

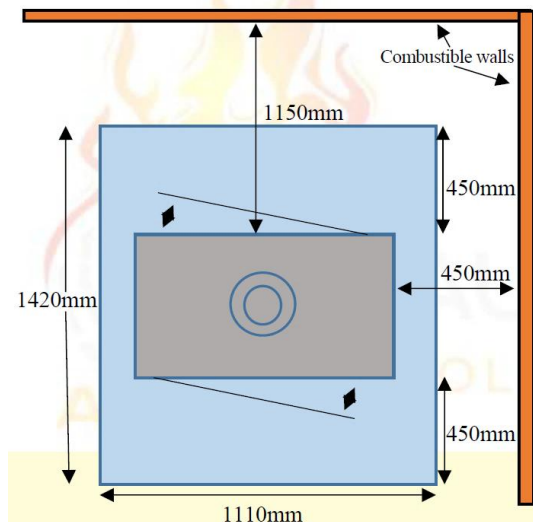


Figure No.7 - Safety distances for Verona 800/801

Verona 100/1001/1003

A minimum 510mm deep x 1015mm wide x 50mm thick floor protector (Skamol board) should be used under the appliance base when installing the appliance (see joint AS/NZS 2918:2018 3.3.2). A minimum 600mm deep x 1320mm wide x 36mm thick floor protector (compressed board) should be used in front of each of the appliance doors and be placed centrally in the 1320mm width. The Thermal resistivity of the 50mm skamol board floor protector is 0.74m².K/W. The Thermal resistivity of the floor protector is 0.16m².K/W for 36mm thick compressed board sheets. Minimum air gap of 50mm must be maintained under the appliance base to the Skamol floor protector.

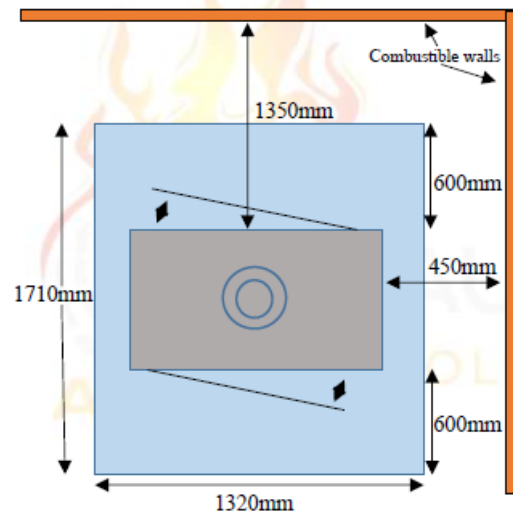
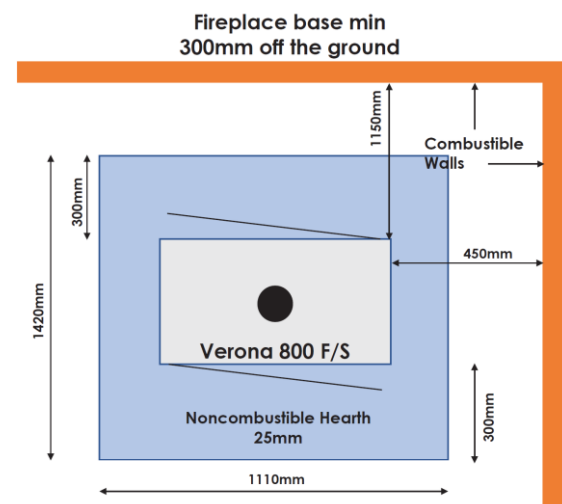


Figure No.8 - Safety distances for Verona 1000/1001/1003

Bear in mind that it may even be necessary to protect non-combustible material in order to prevent breakage, deformation, etc., as a result of overheating if the non-combustible material is not designed to withstand high temperatures.

2.3.3. Elevation clearance



danger of downdraught which may hinder the correct updraught of the appliance when an extractor or mechanical ventilation appliance is used in the same room as the central-heating appliance or in another one alongside it.



Figure No.9 - Conduction of the air intake for the combustion chamber

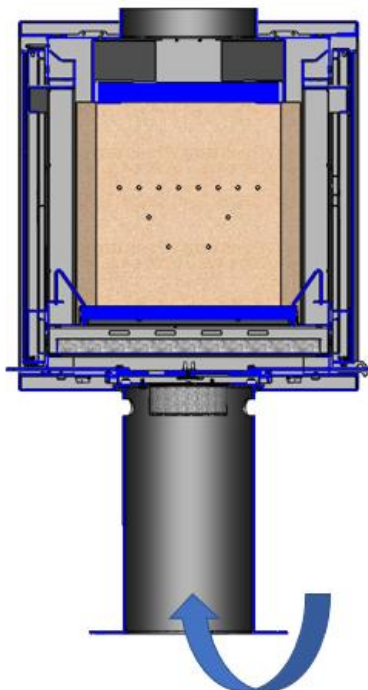


Figure No.10 - Piping air to the firebox in Verona 1001

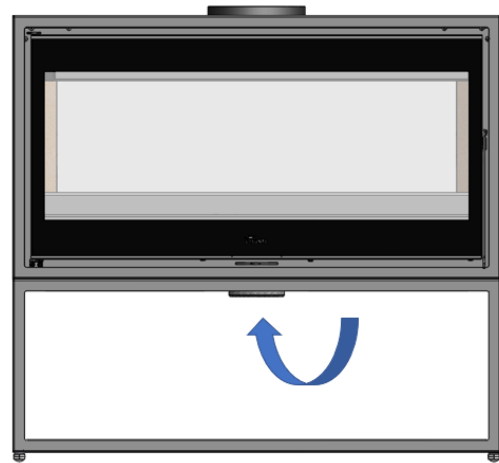


Figure No.11 - Piping air to the firebox in Verona 1003

2.4. Chimney flue

The chimney flue must comply with present standards on the installation of chimneys.

In rooms equipped with Controlled Mechanical Ventilation, the ventilation outlet must never be connected to the flue.

The appliance must always have its own chimney flue, never sharing a chimney flue with another appliance.

2.4.1. Type of flue

The flue system used during testing was a Flo-met Flue Kit incorporating a 515mm ceiling ring with a 15mm air gap between the ceiling and the ceiling ring which. This flue system has not been tested to joint AS/NZS 2918:2018, Appendix F. The flue height was 4.6 ± 0.1 m from the floor protector.

The flue must be made of special material designed to resist the products of combustion (e.g. stainless steel, enamelled steel, etc.).

If the chimney is constructed, then it is necessary to pipe and insulate it to ensure correct updraught.

The diameter of the pipe must be the same as the diameter of the flue socket on the appliance over its entire length in order to ensure correct operation.

The flue must prevent the entry of rainwater.

The flue must be clean and airtight over its entire length.

It's highly recommended that the flue is a minimum of 5 meters high. Less than 5 meters could result in the fireplace not operating correctly, and the chimney cap must not hinder the free release of gases.

If the flue tends to suffer from downdraught, then it is necessary to fit an effective anti-downdraught cowl, a static cowl or a smoke extraction fan, or reshape the chimney.

Never make 90° bends, due to the great loss of draught they cause, and reduce 45° bends down to an absolute minimum. Each 45° bend is equivalent to a 0.5m reduction in flue length. Horizontal flue sections should not be installed because they cut updraught a great deal.

The appliance is designed to operate under controlled draught conditions. The appliance must operate at a chimney draught of between 12Pa and 15Pa. To ensure this draught, an automatic draught moderator must be installed in the flue. Uncontrolled draught operation can lead to quick damage of the appliance, which will not be covered by the warranty.

The flue must not rest its weight on the appliance, as this could damage the worktop.

Bear in mind that high temperatures may be reached in the flue, meaning that it is essential that insulation be enhanced in sections in which combustible material is present (wooden beams, furniture, etc.). It may even be necessary to protect non-combustible material in order to prevent breakage, deformation, etc., as a result of

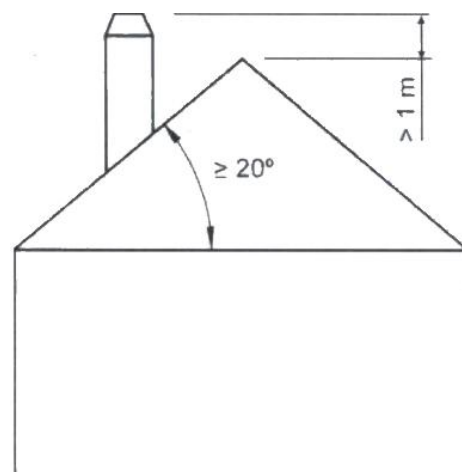
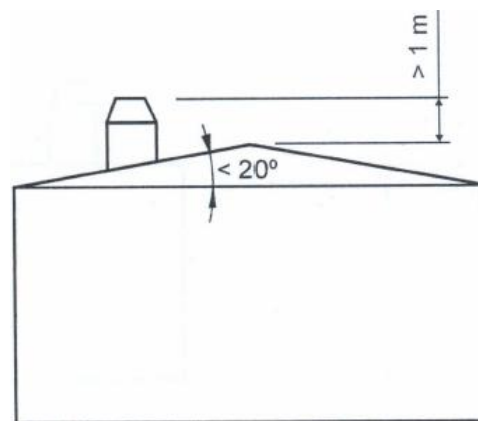
overheating if the material is not designed to withstand high temperatures.

It must be possible to clean the entire flue, no sections being left inaccessible for cleaning purposes.

2.4.2. Chimney crown

Minimum bending length: Refer to the standard to be tested in accordance with appendix F of AS/NZS 2918.

The upper end of the chimney must clear the roof, the roof ridge or any obstacle located on the roof by at least 1m.



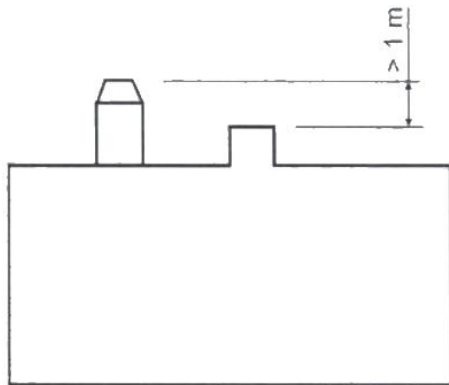


Figure No.12 - Distances between chimney crown and roof ridge

The chimney crown must clear the highest point of any neighbouring building or obstacle located within a 10m radius of the chimney outlet by more than 1m.

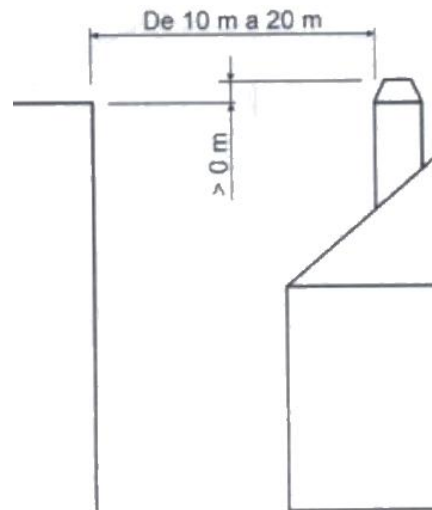


Figure No.14 - Distances between the chimney crown and objects within a radius of between 10 and 20m

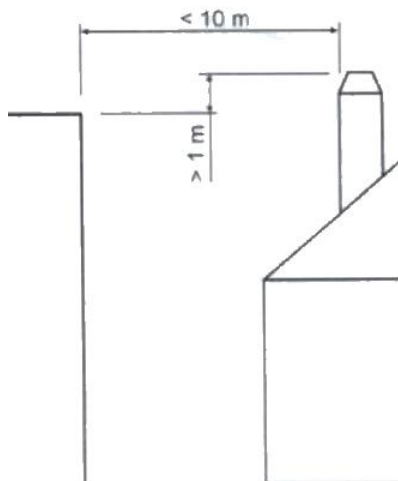


Figure No.13 - Distances between the chimney crown and objects within a 10m radius

The chimney crown must clear any neighbouring building or obstacle located within a radius of 10m to 20m from the chimney outlet.

3. INSTRUCTIONS OF USE

The manufacturer accepts no liability whatsoever for damage caused to parts as a result of the improper use of non-recommended fuels, modifications made to the appliance or how it is installed.
Only use original replacement parts.

All local and national regulations, including those referring to national and European standards, must be observed when using the appliance.

Heat is diffused by radiation and convection via the front and exterior of the appliance.

3.1. Fuel

This appliance must not be used as an incinerator. Do not use non-recommended fuels.

- Use dry logs (max. 16% humidity), cut at least 2 years ago, clean of resin and stored in a sheltered, ventilated place.
- Use hard woods with high calorie values and good ember production.
- Large logs should be cut to useable lengths before being stored. The logs should have a maximum diameter of 150mm.
- Finely-chopped wood produces greater heat output, but also burns more quickly.

Optimum fuels:

- Beech, hardwood and eucalyptus logs.

Other fuels:

- Oak, chestnut, ash, maple, birch, elm, etc.
- Resinous wood may mean that the appliance and the flue need to be cleaned more often.

Non-permitted fuels:

- All types of coal and liquid fuel.
- “Green wood”. Green or damp wood reduces the performance of the appliance and leads to soot and tar build-up on the inner walls of the flue, obstructing it.
- “Recovered wood”. The burning of treated woods (railway sleepers, telegraph posts, plywood, fibreboard, pallets, etc.) quickly blocks the system (soot and tar build-up), harms the environment (pollution, smells) and may lead to deformation of the firebox due to overheating.
- All materials which are not wood (plastic, spray cans, etc.).

Green and reprocessed wood may cause chimney fires.

The graph below shows how the humidity of firewood affects its heat output:

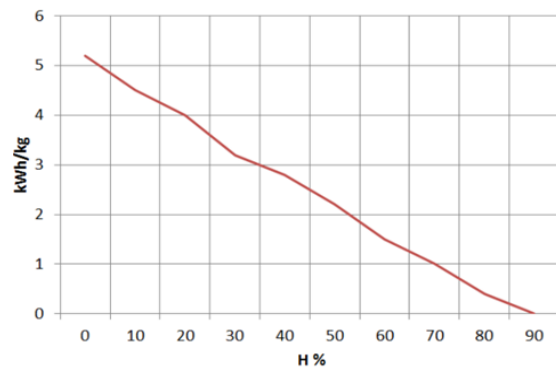


Figure No.15 - Relationship between firewood humidity and heat output.

3.2. Description of the parts of the appliance

3.2.1. Operating components

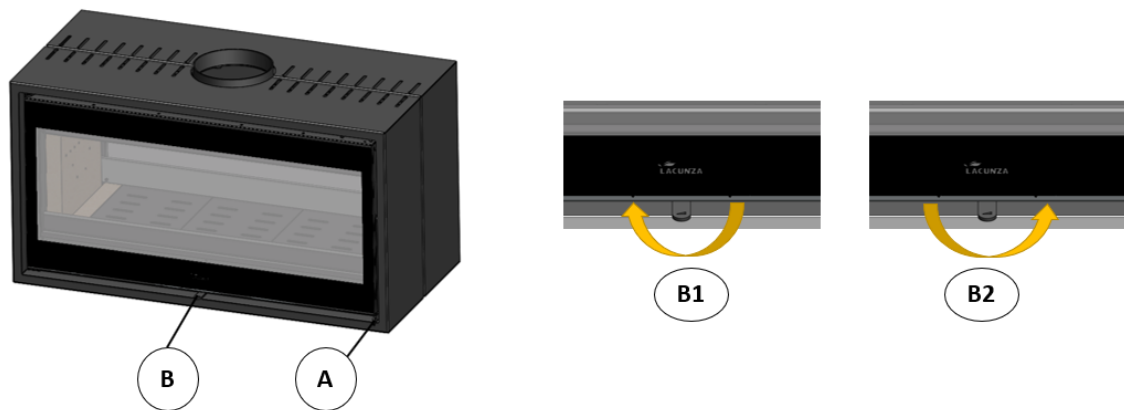


Figure No.16 - Operating components on the appliance

- A: Firebox door handle
- B: Air intake
 - B1 closed (left)
 - B2 open (right)

3.3. Lighting

Use of the appliance in warm weather (warm days, early hours of the afternoon on sunny days) may lead to lighting and updraught problems.

Certain weather conditions, such as fog, ice, humidity entering the flue, etc., may hinder sufficient updraught in the flue and lead to suffocation.

Proceed as follows in order to light the appliance satisfactorily:

- Open the firebox door(s) and open all the firebox air-intake inlets to the full.
- Place paper or a firelighter and some wood chips in the firebox.
- Light the paper or firelighter.
- Leave the door slightly ajar, the width of two or three fingers, for about 15 minutes until the glass warms up.
- The first time the appliance is lit, the fire should be gentle to allow the parts of the appliance to dilate and dry.

Important: The first time it is lit up, the appliance may give off smoke and strange smells. This is not a cause for concern. Open an outdoor window to ventilate the room during the first few hours of operation.

If you notice water around the appliance, this is produced by the condensation of the moisture in the wood on lighting the fire. This condensation will no longer appear when the appliance has been lit three or four times and has adapted to its flue. If it does not disappear, then check the flue draught (length and diameter of the flue, flue insulation, airtightness) and the humidity of the wood used.

3.4. Loading fuel

In order to load firewood, open the firebox door gently, preventing the sudden entry of air to the firebox so that smoke does not enter the room that the appliance is installed in.

Perform this operation with the glove to prevent burns to the hands.

Always load with with medium primary air settings (see table in section 1.1).

For minimum burning (e.g. at night), use thicker logs.

When the firebox is loaded, close the door.

Be careful when placing logs in the firebox on appliances with vermiculite interiors. Vermiculite is a fragile material and may crack if knocked.

3.5. Operation

The appliance should be operated with the doors closed.

For safety reasons, never close all the appliance's combustion-air intakes.

Air intake

By opening this inlet, air enters the firebox in the following sequential way:

1°- Through the double combustion holes on the sides of the combustion chamber.

2°- At the top of the combustion chamber door.

3°- Finally, air is introduced into the combustion chamber through the grille.

IMPORTANT: Keeping the secondary-air intake open (the air that enters the firebox via the top of the firebox door) helps keep the door glass cleaner for longer.

IMPORTANT: The appliance is exposed to extreme changes in temperature and may, as a result, make noises when in operation. These noises are a natural result of expansion/contraction of the parts which make up the appliance. Do not be alarmed by noises of this kind.

In order to obtain maximum output, open all the air intakes to the firebox and in order to obtain minimum output, tend towards closing them.

For normal use, we recommend you the air Intake 50 % open.

- (a) High burn rate: The appliance shall be operated with combustion rate controls fully open.
- (b) Low burn rate: The appliance shall be operated with all combustion rate controls adjusted to the minimum setting.
- (c) Medium burn rate: The appliance shall be operated with the register in the middle of its position.

Lacunza recommends doing medium burn cycles.

3.6. Removing ash

Following sustained use of the appliance, it is necessary to remove the ash from the firebox. Remove the ashpit box when cold or using something to prevent yourself from getting burned (glove).

Never throw hot embers into the rubbish.

Access the ashpit by opening the door on the appliance.

3.7. Deflectors.

The appliance has 1 vermiculite deflector and 2 stainless-steel reinforcement.

Removing the Nickel deflector

Follow the next steps:

First, remove the 2 separators.

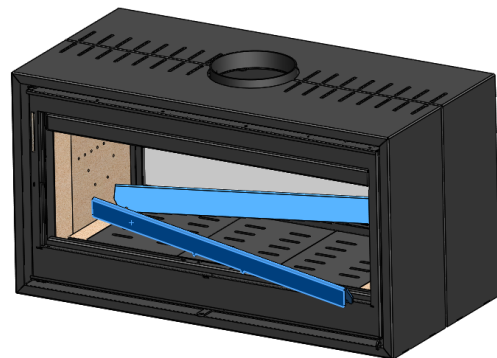


Figure No.17 - Removing the two separators.

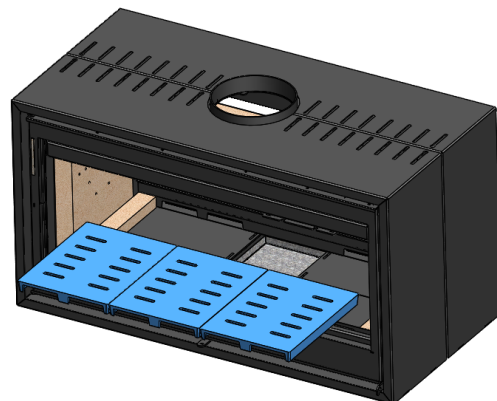


Figure No.18 - Removing the cast iron grilles

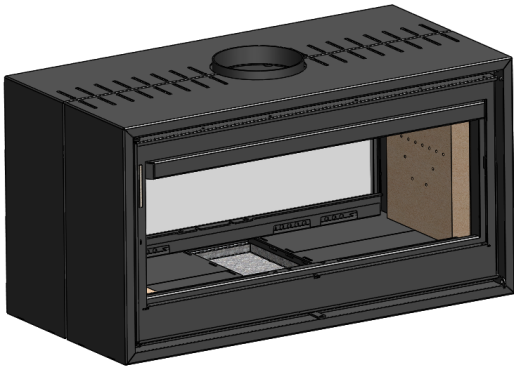


Figure No.19 - Remove the refractory from the right side

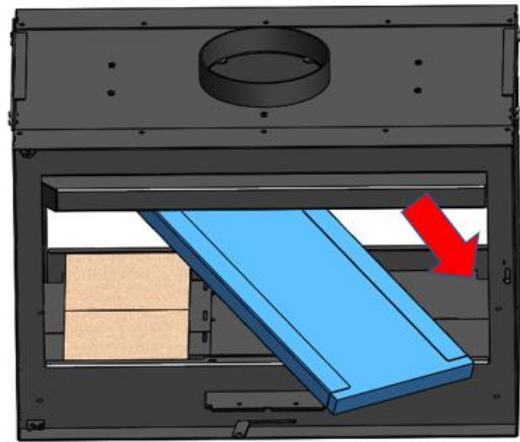


Figure No.22 - Remove de deflector.

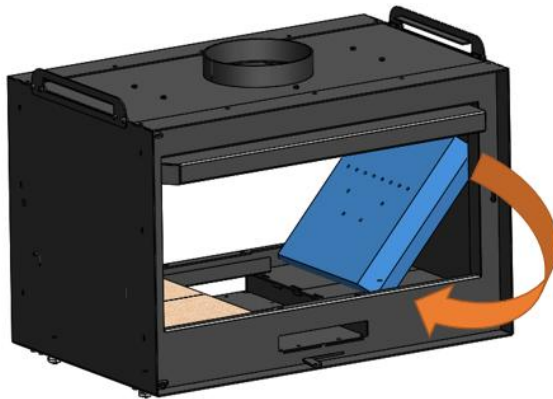


Figure No.20 - Turn the right-side refractory as in the picture so that the deflector can fall

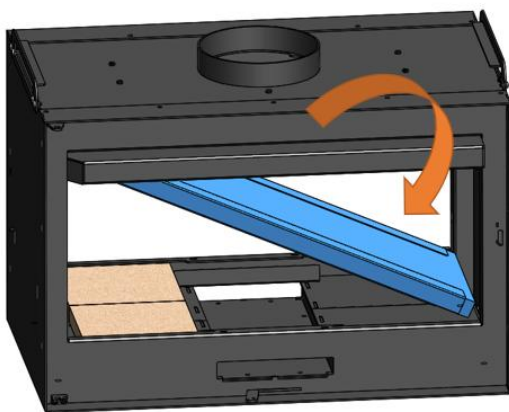


Figure No.21 - Drop the refractory holding it

4. MAINTENANCE AND IMPORTANT ADVICE

4.1. Maintenance of the appliance

The appliance, the flue connector piping and the flue must be cleaned regularly, particularly following long periods without use.

4.1.1. Firebox

Clean the firebox area of ash, etc.

4.1.2. Inside the appliance

The inside of the firebox can also be accessed from the bottom by extracting-pushing up the cast-iron grille and removing the refractories and the ashpit. Clean the area of ash through the hollow left after removal (use a vacuum cleaner if necessary).

Clean the firebox area of ash. Clean the deflector, where soot may build up.

4.1.3. Flue socket

The flue socket area must always be kept clean for the appliance to work properly. It must be cleaned as often as required. How often it is cleaned depends on how much the appliance is used and the type of fuel employed.

4.1.4. Painted sheet-steel-cast-iron parts.

These parts should be cleaned with a brush or dry cloth. Do not dampen the parts: the steel could rust and the paint could blister and chip. Be particularly careful when cleaning the glass: the liquids used must not dampen the painted steel.

4.1.5. Firebox glass

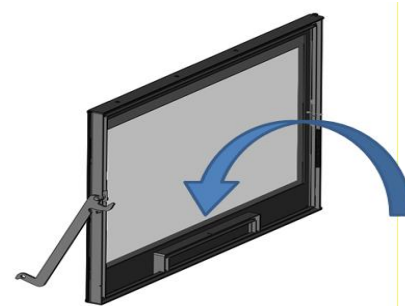
To keep the glass as clean as possible for as long as possible, the secondary air register should be kept open. However, over the hours of use, the glass may

become dirty. To clean it, we will use specific degreasing products or dry cleaning products for this task.

The cleaning should be carried out with the glass cold and taking care not to apply the glass cleaner directly on the glass as, if it comes into contact with the door's closing cord, it may deteriorate. Put the cleaning product on the cloth.

Caution, the vitro ceramic glass is prepared to support 700°C. Never let burning woods or combustion flame beating against the glass for prolonged periods of time. In this case, the glass would be submit to temperatures above 750°C, this could change the internal structure of the glass and make it opaque (irreversible phenomenon).

Attention, never let the product drip into the lower part of the glass. The accumulation of the cleaning product, with soot or ash residues, can damage the screen printing on the glass.



Note: If we use the appliance in draught conditions higher than 15Pa or burn more wood (per hour) than those indicated in table 1.1, we will subject the appliance to working conditions higher than those designed for it. This can lead to aggressive fouling of the glass (white halo), which cannot be cleaned by the traditional method.

4.1.6. Air intake registers

In the air intake for combustion registers, remains of ash, sawdust, cleaning fluids, etc. may accumulate, which restrict or hinder its movement. In

these cases, they should be released and cleaned.

4.2. Maintenance of the chimney flue

VERY IMPORTANT: In order to avoid incidents (chimney fires, etc.), it is necessary to perform maintenance and cleaning operations on a regular basis; if the appliance is used often, then the chimney and the flue connector piping must be swept several times a year.

In the event of fire in the chimney, close the flue draught, close doors and windows, remove embers from the firebox, block the connection hole with damp cloths and call the fire brigade.

4.3. Important advice

Lacunza recommends that only Lacunza-authorized replacement parts be used.

Lacunza accepts no liability for any modification to the product which it has not authorised.






This appliance is a heat-producing appliance and contact may lead to burns.

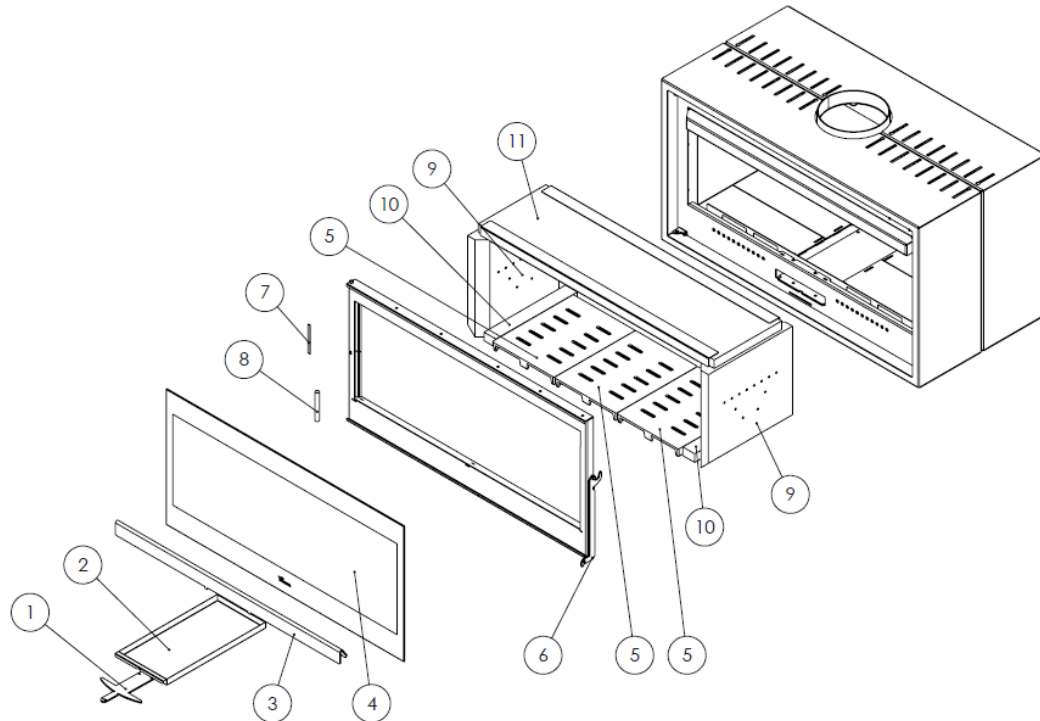
This appliance may remain HOT for a period of time after it has gone out. **MAKE SURE THAT SMALL CHILDREN DO NOT GO NEAR IT.**

5. TROUBLESHOOTING



This symbol means that a qualified professional should be called to perform the operation.

Problem	Probable causes		Solution
The fire does not light properly The fire does not stay alight	Green or damp wood		Use hard woods, cut at least 2 years ago and stored in a sheltered, ventilated place
	The logs are too large		Use crumpled paper or firelighters and dry wood chips to light the fire. Use split logs to keep the fire going
	Poor-quality wood		Use hard woods which produce heat and embers (chestnut, ash, maple, birch, elm, beech, etc.)
	Insufficient primary air		Open the primary- and secondary-air intakes completely, or even open the door slightly. Open the outdoor-air inlet grille
	Insufficient updraught		Check that the draught is not blocked. De-soot if necessary. Check that the flue is in perfect condition (airtight, insulated, dry, etc.)
The fire flames up too much	Excessive primary air		Close the primary- and secondary-air intakes partially or totally
	Excessive updraught		Install a draught damper
Smoke given off on lighting	Poor-quality wood		Do not continually burn chips, carpentry scraps (plywood, pallets, etc.)
	Cold flue		Heat up the flue by burning a piece of paper in the firebox.
Smoke during burning	The room is at low pressure		In rooms with Controlled Mechanical Ventilation, leave an outdoor window ajar until the fire is fully alight.
	Too little wood loaded		Load as recommended. Loads notably smaller than those recommended lead to low smoke temperature and downdraught.
	Insufficient updraught		Check the condition of the flue and insulation. Check that the piping is not blocked. Clean mechanically if necessary
	Wind enters the flue		Install an anti-downdraught system (Cowl) at the top of the chimney
Does not warm up enough	The room is at low pressure		In rooms with Controlled Mechanical Ventilation, there must be an outdoor-air inlet
	Poor-quality wood		Only use the recommended fuel
Water condenses (after the appliance has been lit more than 3 or 4 times)	Too little wood loaded		Load as recommended. Loads notably smaller than those recommended lead to low smoke temperature and condensation.
	Green or damp wood		Use hard woods, cut at least 2 years ago and stored in a sheltered, ventilated place.
	Condition of the flue		Lengthen the flue (5-6 metres minimum). Insulate the flue properly. Check the airtightness of the flue/appliance.

6. BASIC BREAKDOWNS


N°	Reference	Description	Qty.
1	5044700000	Nickel DC Air intake register handle	2
2	5044700001	Nickel DC Double ashtray	1
3	5044800000	Nickel 800 DC Separator	2
	5045300001	Nickel 1000 DC Separator	2
4	5044800001	Nickel 800 DC Firebox door glass + cord	2
	5045300000	Nickel 1000 DC Firebox door glass + cord	2
5	5040000897	Nickel 800 Cast iron grate	1
	5040000897	Nickel 1000 Cast iron grate	3
6	5044700002	Nickel Firebox door handle	2
7	500000000510	Flat braided cord 8x2mm	2,5 m
8	509020000042	Black ceramic fiber cord Ø13mm	2,5 m
9	5044700009	Nickel DC Vermiculite Side Panel 340x340x60 mm	2
	5044800007	Nickel 800 DC Vermiculite Base Side Panel 210x199x30 mm	4
10	5045300007	Nickel 1000 DC, Vermiculite Base Side Panel 48x329x30 mm	2
	5044800004	Nickel 800 DC Vermiculite deflector	1
11	5045300004	Nickel 1000 DC Vermiculite deflector	1

7. CERTIFICATE OF COMPLIANCE

Certificate of Compliance for **SOLID FUEL HEATERS**

This is to certify that the appliance stated on this certificate has been tested for Thermal Clearances, Heat Output, Thermal Efficiency and Particulate Emissions in accordance with the Australian / New Zealand Standard(s) detailed below

<i>Manufacturer</i>	Lacunza
<i>Make</i>	Lacunza
<i>Model</i>	Verona 800, Verona 801
<i>Type</i>	Free-Standing
<i>Category</i>	Slow combustion Wood Heater
<i>Fuel Type</i>	Hardwood
<i>Test Report No's:</i>	ASFT21090-1 ASFT21093-1
<i>Maximum Avg Heat Output</i>	9.9kW
<i>Overall Avg Efficiency</i>	64%
<i>Particulate Emissions Factor</i>	0.9g/kg
<i>National Standards</i>	AS/NZS 4012 (2025) AS/NZS 4013 (2025) AS/NZS 2918 (2018)

ASFT hereby grants to:

Lacunza

of
31800 Alsasua / Navarra SPAIN

Certificate No.: **ASFT25C059**
Issue Date: **7 August 2025**

Certified Date: **2 August 2024**
Expiry Date: **20 June 2035**

Steve Marland

Managing Director of ASFT

ASFT performs compliance testing of Solid Fuel Appliances to the relevant Australian/New Zealand standards. This certification is subject to the conditions set forth in the characteristics above and is not to be construed as any recommendation, assurance or guarantee by ASFT of the product acceptance by Authorities having jurisdiction.



Certificate of Compliance for **SOLID FUEL HEATERS**

This is to certify that the appliance stated on this certificate has been tested for Thermal Clearances, Heat Output, Thermal Efficiency and Particulate Emissions in accordance with the Australian / New Zealand Standard(s) detailed below

<i>Manufacturer</i>	Lacunza
<i>Make</i>	Lacunza
<i>Model</i>	Verona 1000 Verona 1001 Verona 1003
<i>Type</i>	Free-Standing
<i>Category</i>	Slow combustion Wood Heater
<i>Fuel Type</i>	Hardwood
<i>Test Report No's:</i>	ASFT21057-1 ASFT21060-1
<i>Maximum Avg Heat Output</i>	15.6kW
<i>Overall Avg Efficiency</i>	60%
<i>Particulate Emissions Factor</i>	0.9g/kg
<i>National Standards</i>	AS/NZS 4012 (2025) AS/NZS 4013 (2025) AS/NZS 2918 (2018)

ASFT hereby grants to:

Lacunza

of
31800 Alsasua / Navarra SPAIN

Certificate No.: **ASFT25C060**
Issue Date: **7 August 2025**

Certified Date: **10 December 2021**
Expiry Date: **20 June 2035**

Steve Marland

Managing Director of ASFT

ASFT performs compliance testing of Solid Fuel Appliances to the relevant Australian/New Zealand standards. This certification is subject to the conditions set forth in the characteristics above and is not to be construed as any recommendation, assurance or guarantee by ASFT of the product acceptance by Authorities having jurisdiction.

LACUNZA KALOR GROUP S.A.L

Pol. Ind. Ibarrea 5A

31800 Alsasua (Navarra) Spain

Tel.: (00 34) 948 56 35 11

Fax.: (00 34) 948 56 35 05

e-mail: comercial@lacunza.net

Website: www.lacunza.net

EDITION: 5

