



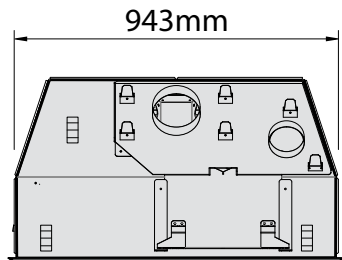
For further information or specifications, visit the technical section of our website www.escea.com to view the latest product Installation Manual.

Appliance Information

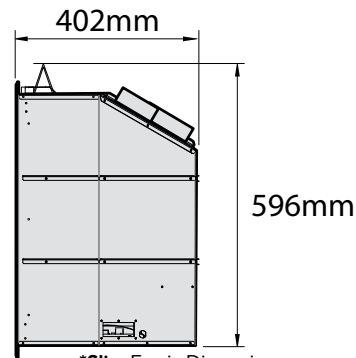
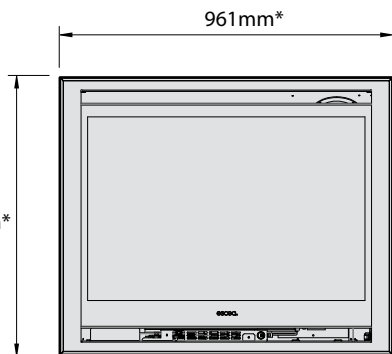
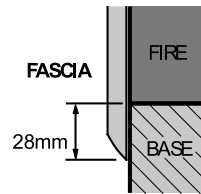
Specifications	
Heat Output	6 - 7.1 kW
Star Rating	3.5 - 4.1 stars
Gas Input	28 - 31 MJ/hr
Gas Connection	Rear right or front right, 1/2" BSP female thread
Gas Type	Natural Gas / ULPG (NZ) / Propane (Aus)
Weight	70 kg
Room fan	Yes
Flue Type	Simpson Duravent Direct Vent (False Chimney) Flexi Flue (Masonry)
Flue Size	6" Outer, 4" Inner (Direct Vent) 4" and 3" Flexi Flue (Masonry)
Power Requirement	3 pin earthed 230V power outlet +isolating switch to be within 1.0m of rear right hand corner of the appliance.
Smart Heat App	Yes

Product Dimensions

All outside dimensions taken from the appliance are with the standoffs attached.



Distance from fireplace base to Fascia face

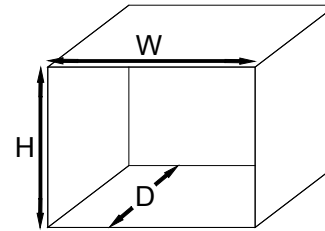


*Slim Fascia Dimensions.

Cavity Construction

Cavity Shape

The standoff rails installed on the outside must only be removed when being installed into a masonry cavity.



Note: a top is not required when creating the cavity

	Height	Width	Depth
False Chimney installation (top standoffs must be adjusted to the upright position)	600mm	945mm	405mm +minimum 65mm flue clearances
Masonry install with standoff rails & top standoffs removed.	590mm**	935mm	400mm

Note: If cavity dimensions significantly exceed those specified, a register plate is available for purchase through your local escea retailer (New Zealand Only).

**Note: This dimension makes an allowance for the 30mm spacer for floor mounted installations (see masonry installation requirements).

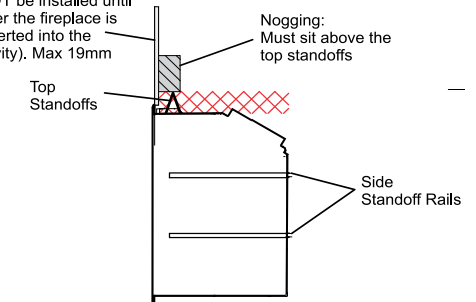
Cavity Base

This appliance **MUST** be fully supported on its base. The base must extend over the entire area of the underside of the appliance. The base must also be levelled to prevent vibration from possible fan imbalance. M5 Standoffs (circled in the diagram below) may be used to screw in any feet with an M5 thread to level the rear of the fireplace inside the cavity. The base of the cavity must be strong enough to support 80kgs.

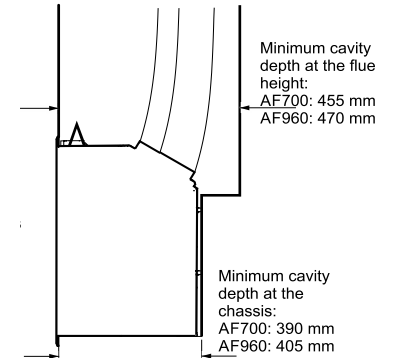
False cavity Installation

For floor mounted installations, allow for fascia clearance.

Cladding (MUST NOT be installed until after the fireplace is inserted into the cavity). Max 19mm

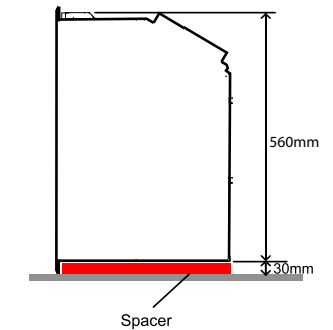


⊠ = Clearances; must cover the full width of the appliance



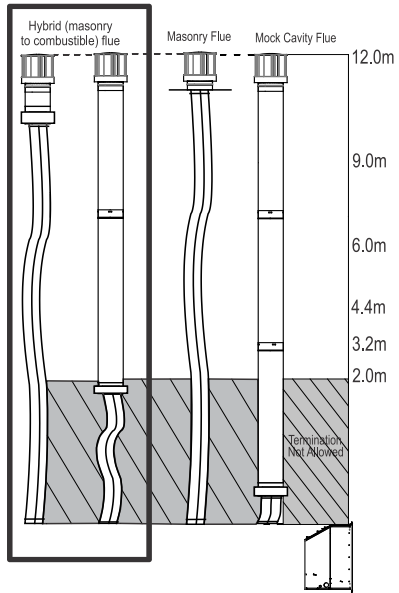
Masonry Installation Requirements

The masonry install requires a spacer below the appliance to allow room for the fascia to sit flush with the ground.

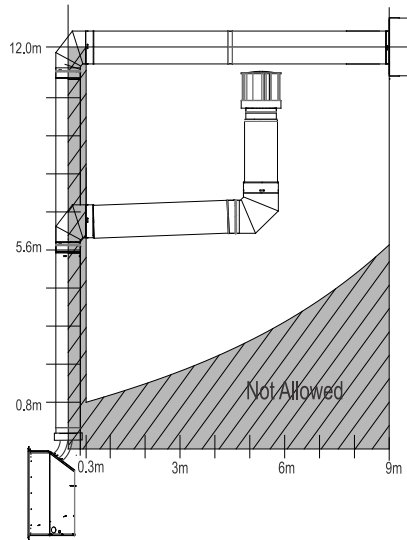


Flue Information

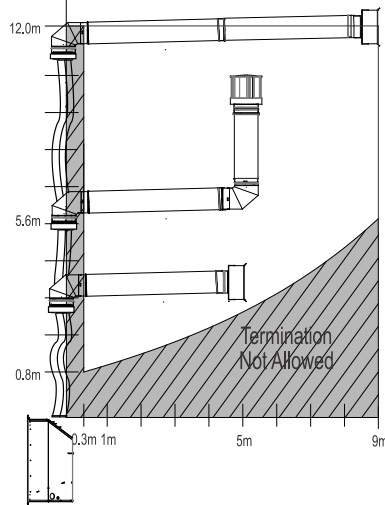
Vertically terminating flue diagram



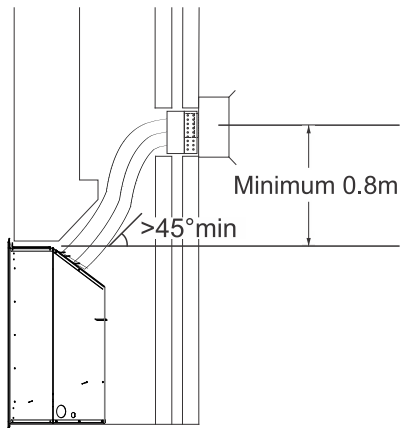
Horizontally terminating and vertically terminating with a horizontal offset flue diagram



Hybrid Horizontally terminating and vertically terminating with a horizontal offset flue diagram



Horizontal Brick Exit flue diagram



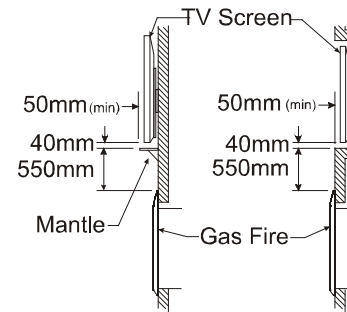
IMPORTANT : Refer to the installation manual for mandatory clearances from the terminal.

Clearances

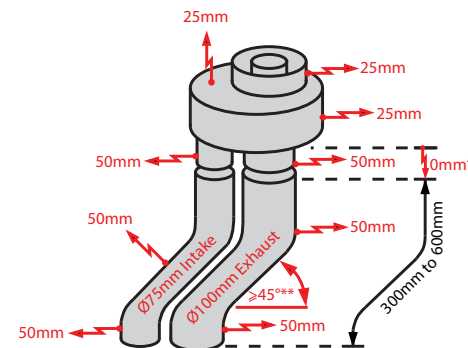
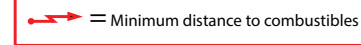
Television clearances

The following are the recommended minimum clearances for the location of any electrical equipment (such as Plasma TV, LCD TV or home theatre) above an Escea AF700 gas fire. Use either a shelf or mantle below your TV screen or alternatively you can construct a recess to mount your TV screen into.

Note: The television clearance recommendations below are to be treated as a suggestion of a suitable installation only. It is the responsibility of the end user to check the installation instructions of their electrical appliances to ensure that the location in relation to the gas fire is suitable. Escea in no way guarantees or takes responsibility that the above installation suggestion will be suitable for all electrical or home entertainment appliances.



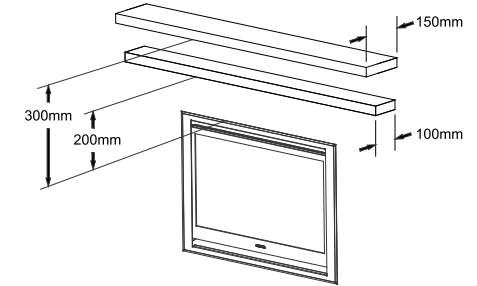
Flueing Clearances



*Note: Underside of converter box can be fixed straight onto wooden joists.

**Note: Flexi-Flue must not be run at an angle greater than 45 degrees from vertical, excluding all appliance built into a freestander kit.

Mantle Clearances



Floor Clearances

If the appliance is mounted above a "hard floor" (including but not necessarily limited to: wood, wood veneers, ceramic tiles, concrete and stone) then it may be positioned with the bottom of the fascia coincident with the finished floor if desired. Note: The appliance has been tested and certified to AS4553:2008 and the maximum allowable temperature rise above ambient of any combustible floor is ΔT of 65C. Therefore any material used must be chosen to be able to operate without damage or degradation with a ΔT of 65C.

If the appliance is mounted above a "Soft floor" (including but not necessarily limited to: carpets, Vinyl, carpet tiles, rugs and mats) then we recommend a distance of 100mm from the bottom of the fascia to the finished floor.

Hearth

A Hearth is not required, however it may be used for decorative purposes or for protection of soft/sensitive flooring as stated in the section above to allow a smaller floor clearance. The hearth should not obscure the front face of the fire, must protrude at least 200mm from the face of the fireplace and be at least the width of the appliance.

Converter Box Dimensions

