

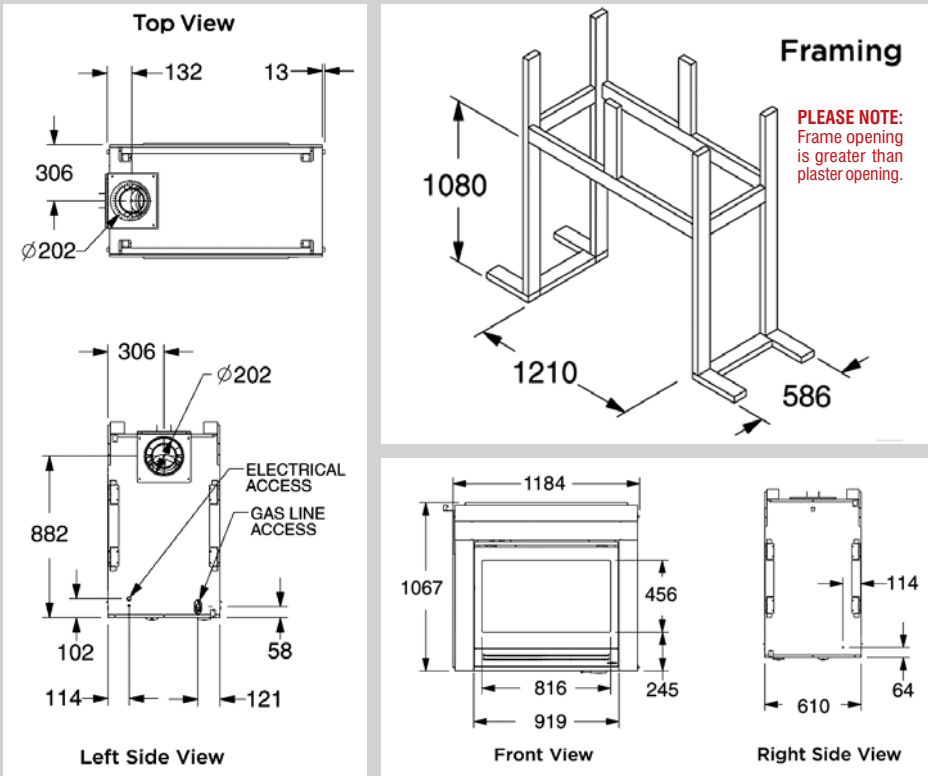
HEAT & GLO™



ST-HVBI  
See-Through Gas Log Fire

# ST-HVBI-AUB Specifications

MODEL	HEIGHT		FRONT WIDTH		BACK WIDTH		DEPTH		VIEWING AREA	mjh INPUT	kWh OUTPUT
	Actual	Framing	Actual	Framing	Actual	Framing	Actual	Framing			
ST-HVBI-AUB	1067	1080	1184	1210	1184	1210	610	586	816 x 456	NG 44 LPG 43	NG 8.6 LPG 8.4



Dimensions above are in millimetres and for reference only. We recommend measuring individual units at installation. Refer to installation manual for detailed specifications on installing this product. Heat & Glo reserves the right to update units periodically. The flame and ember appearance may vary based on the type of fuel burned and the venting configuration used. Photos in this brochure may vary in colour and dimension (size) from the actual product.



ST-HVBI-AUB with 150mm 3 sided stainless steel trim



ST-HVBI-AUB with 150mm 3 sided black trim

## See Through Features

- Top or rear venting options provide installation flexibility
- Zero clearance provides ease of installation and costs savings
- IntelliFire Plus™ Ignition System
- Variable valve allows you to adjust the flame height and heat output
- Realistic ceramic fibre campfire style logs
- Enjoy the ambience of a fire from two rooms
- Balanced flue technology provides a sealed combustion chamber, maintaining indoor air quality
- Energy saving 70% efficiency with the authenticity of a traditional fire
- Standard dress guard with mesh provides clean lines and safety
- 3 speed fan with auto on/off
- Multi-function remote control provides temperature, flame height and fan control, offering true convenience - never again bend down to start your fireplace
- 205mm diameter top or side venting
- Approval No: GSCS20165

## IntelliFire Plus™ Ignition System

The IntelliFire Plus™ Ignition System is an "intelligent" control system providing energy conservation and the comfort of a roaring fire, all at your fingertips! IntelliFire Plus™ eliminates the need for a continuously burning pilot light, reducing gas consumption and lowering operating costs.



Please contact us at:

## JETMASTER HEAT & GLO

444 Swan Street (near Burnley St), Richmond  
 Ph: (03)9429 5573 Fax: (03)9427 0031

EMAIL: info@jetmastervic.com.au  
 WEB: www.jetmaster.com.au

## IntelliFire PLUS™ RC300

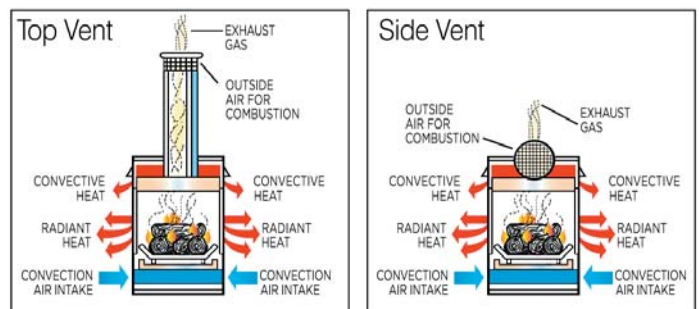
Our new IntelliFire Plus™ remote control provides stylish and fully featured benefits that make controlling your heat easier than ever.

Incorporates an LCD screen, intuitive menus and large control buttons in a sleek and modern design. This wireless control gives you the flexibility to use as a remote only or a mount on the wall anywhere in the room.



## Balanced Flue Gas Fireplace

A completely sealed system, the Heat & Glo balanced flue gas fireplace draws 100% of combustion air from outdoors and exhausts all combustion byproducts back outside, with no effect on indoor air quality. In addition, cold air drafts are eliminated and heat output is maximised. No electricity, power venting or fan is required for operation, eliminating the need for a conventional chimney, and allowing for installation in nearly any room of the home. TR technology, another Heat & Glo invention, allows for venting off the top or side, providing even greater placement flexibility.



**HEAT & GLO**  
 No one builds a better fire

