

Castleton WOOD STOVE



Castleton 8030 WOOD STOVE

SPECIFICATIONS

Heat output	8.9Kw
Efficiency	60%
Emissions	1.4G/kg
Approx. Heat area up to	200m ²
Max log length	450mm
Flue diameter	152mm (6")
Weight	210 kilos

Hearth requirements

Thickness (bellis board or similar)	9mm
Width	830mm
Depth*	1025mm

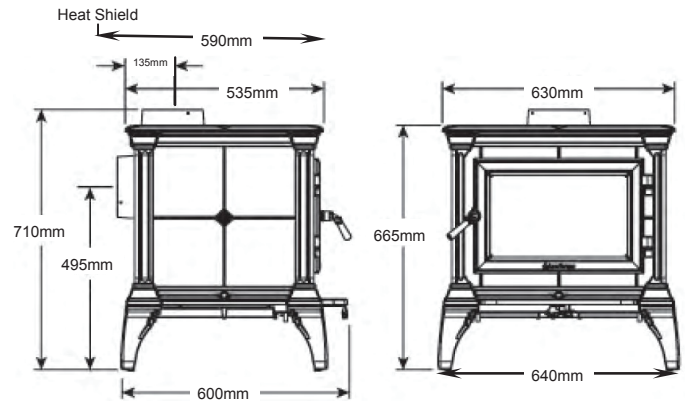
* Depth includes a min 300 in front of the unit

Clearances to combustible wall	Heatshield	Skamotec 225 25mm with Heatshield
Sides	600mm	250mm
Rear	225mm	100mm
Corner	275mm	100mm

Clearances based on the installation of a triple skin flue kit with perforated mesh flue shield or single active flue shield

FEATURES AND BENEFITS

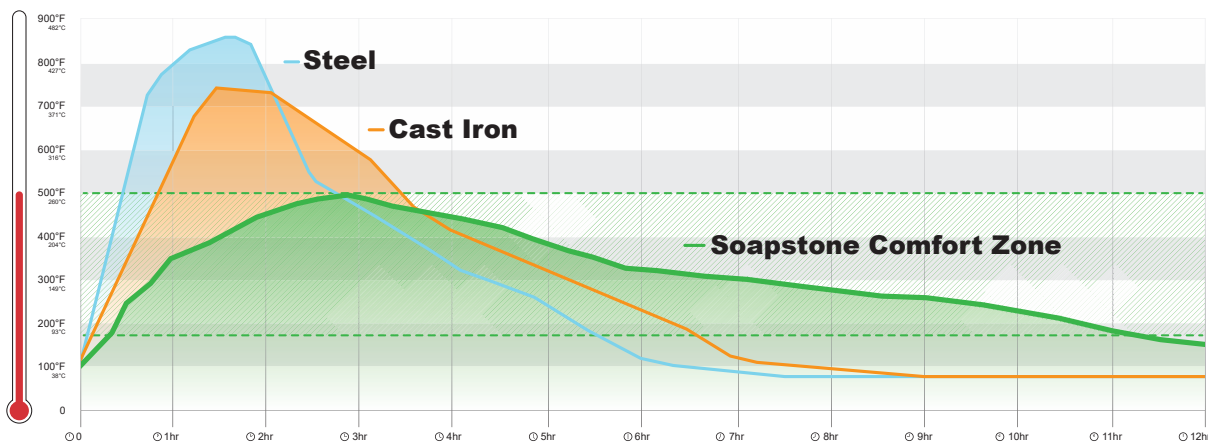
- **Cast iron interior impact plate** - protects the soapstone when loading the stove
- **Top or rear flue exit** - flexible installation
- **Secondary burn combustion system** - clean burning, efficient, reduces creosote build-up



heatlife™ by hearthstone

Hearthstone wood stoves provide exceptional heat retention

Hearthstone wood stoves are made with soapstone, a natural material that absorbs the high heat of a fire, then radiates a gentle heat into the room. This means your home stays at a comfortable temperature - the Soapstone Comfort Zone.



Hearthstone wood stoves stay warmer longer, keeping your home in the comfort zone.

Information in this brochure is to assist you in your choice of a suitable fire. It is not intended to be all the information required to install the fire and does not replace the installation manual which provides more detailed information. In the interest of product development Hearthstone reserves the right to change specifications without prior notice.

castworks
home heating specialists

DISTRIBUTORS FOR



Your Hearthstone dealer