

Brilliant heat,
beautiful to watch!



Convert your existing fireplace or incorporate
it into the design of your new build.





The beauty of Jetmaster

The Jetmaster system provides brilliant radiant heat from a super efficient fire that is designed to draw perfectly. At the same time it uses heat from the back of the fire, that would otherwise be lost, to create convected heat.

CONVERT YOUR EXISTING FIREPLACE OR INCORPORATE IT INTO THE DESIGN OF YOUR NEW BUILD

Convert your existing fireplace or incorporate it into your new build or renovation... and dramatically increase the efficiency and performance of your fireplace.



Jetmaster Universal 850 wood fire



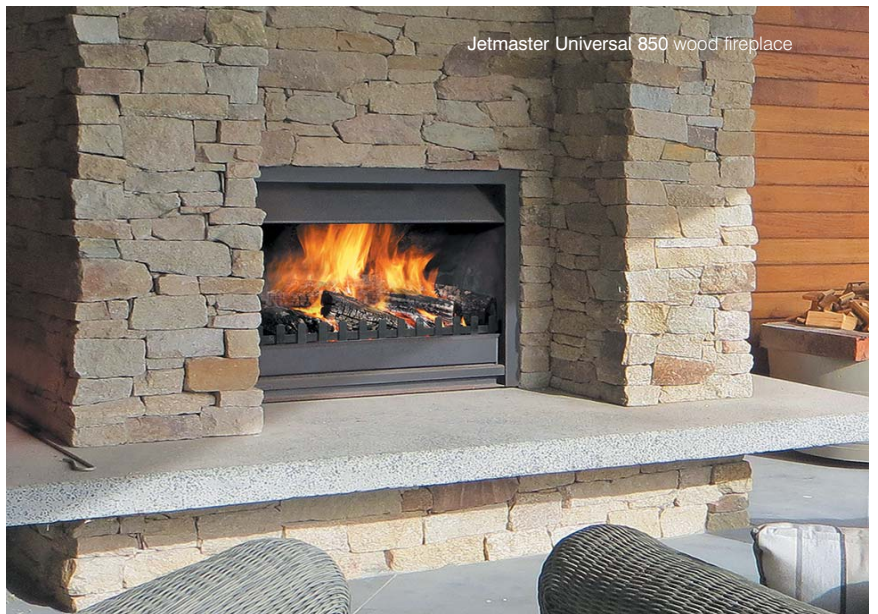
Jetmaster Universal 700 wood fire with 3 sided 100mm black trim



Jetmaster Universal 1050 wood fire with 3 sided black trim.

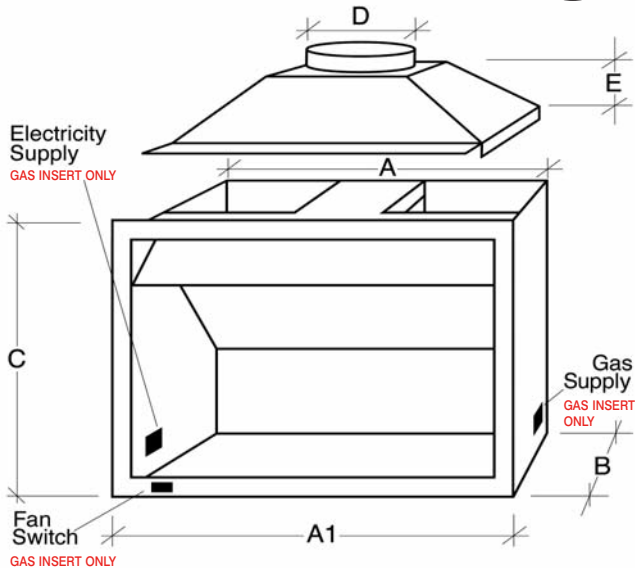


Jetmaster Universal 700 gas log fire with 4 sided stainless steel trim.



Jetmaster Universal 850 wood fireplace

wood and gas fires!



Gas fires with more flame, more heat and more glow at the flick of a switch.

Jetmaster is constantly working on design and development to bring you the most realistic, efficient fires with a range of diverse styles to choose from. You can convert your existing fireplace, or simply install into a timber frame using the zero clearance option (you can download information from our website).

We currently offer an extensive range of open gas fire configurations - your choice of logs, coals, pebbles, topaz, double sided or freestanding units. The Jetmaster open fire is precision designed to draw beautifully.



Jetmaster 700 Super Coal gas fireplace with 100mm Stainless Steel trim

JETMASTER UNIVERSAL*

	A	A1	B	C	D	E	
400	390	440	340	570	200	200	Wood & Gas
440	470	510	330	610	200	200	Wood & Gas
500	570	600	350	650	200	200	Wood & Gas
600	670	700	350	650	200	200	Wood & Gas
600 LOW	670	700	350	600	200	200	Wood & Gas
700SH	770	800	350	650	200	200	Wood & Gas
700SH LOW	770	800	350	600	200	200	Wood & Gas
700D	770	800	400	700	225	200	Wood & Gas
850	920	950	450	750	250	220	Wood & Gas
850 LOW	920	950	450	700	250	220	Wood & Gas
1050	1120	1150	500	800	300	240	Wood Only
1200	1250	1300	605	1020	250 ⁺	400	Wood Only
1500	1550	1600	605	1020	300 ⁺	400	Wood Only

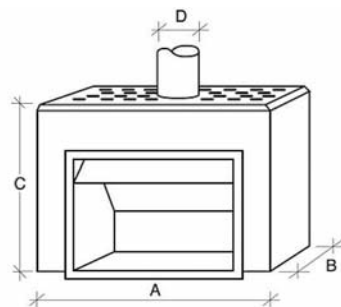
* Requires installation into brickwork. For Zero Clearance dimensions, refer to Zero Clearance specifications.
⁺ Requires 2 flue outlets (single flue option also available)



Jetmaster 850 Iron Bark gas fireplace with 100mm Black trim in Freestanding enclosure

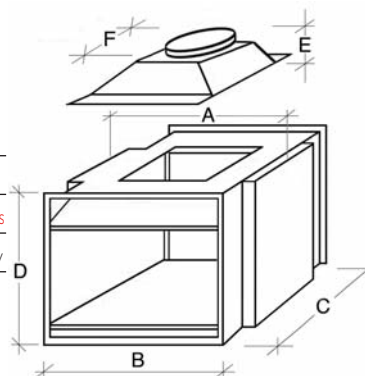
JETMASTER FREESTANDING

	A	B	C	D	
500	840	390	790	200	Wood & Gas
600	1000	390	810	200	Wood & Gas
700SH	1050	390	810	200	Wood & Gas
700D	1100	440	940	225	Wood & Gas
850	1200	490	983	250	Wood & Gas
1050	1400	550	1040	300	Wood Only



JETMASTER DOUBLE-SIDED

	A	B	C	D	E	F	
700	850	800	610	700	220	345	Wood & Gas
1050	1205	1150	610	770	233	415	Wood Only



Jetmaster Federation 300 gas fireplace with Decorative Victorian fascia and Urn Mantel

Jetmaster Gas Burners

Jetmaster offers you a comprehensive range of high variable flame burners designed to provide the perfect solution to your fireplace upgrade.



Deluxe Coals
With black Spanish Front

Available:	
600 & 700	39Mj
850	72Mj



Topaz with Ironbark Logs
(also available with Coals and Pebbles)

Available:	
700 & 850	39-55Mj



Ironbark Logs
With brass Spanish Front

Available:	
600 & 700	55Mj
850	65Mj



Standard Coals
With Paris Front

Available:	
600, 700 & 850	39Mj



Super Coals
With Standard Picket Fence front

Available:	
600, 700 & 850	72Mj



Federation 300
To fit existing period cast iron inserts

Available:	
300	39Mj

Decorative fronts: Finish off your revamped fireplace with one of these stylish fronts



Spanish



Standard Castle



Modern



Paris

The Jetmaster Universal Insert

This is how it works... Cool air is drawn into the heating chamber, and as the air heats, it rises and is forced back out into the room (through a jet at the top of the unit), thus creating a convection process. The Insert also incorporates a damper control, which controls the burn rate, reducing heat loss and maximising overall efficiency, producing up to 5 times more heat than an average brick fireplace. A spark proof and child proof flush fitting hook-on screen is also available.

Hot air rises and circulates for round the room comfort

Fumes go up the flue

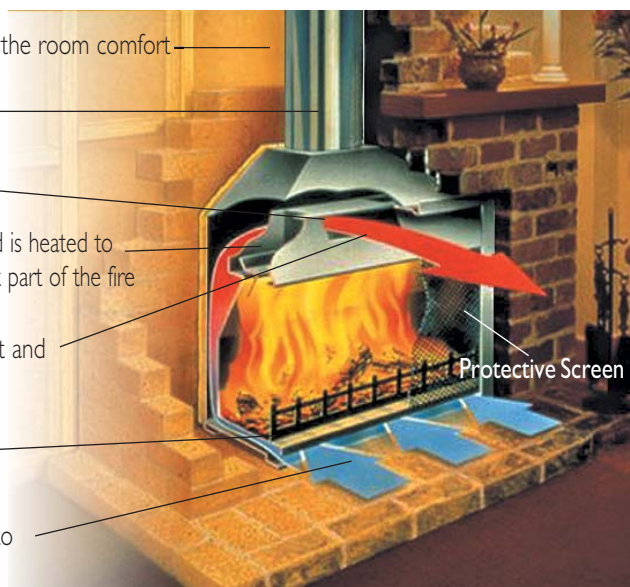
Damper for controlled burning

Air passes into the heating chamber and is heated to maximum temperature over the hottest part of the fire

Rising hot air is forced through the jet and out into the room

Removable logpan

Air at room temperature is drawn into the inlet



JH&S OCT 2015

THE ONLY CHOICE IN WOOD AND GAS FIRES



JETMASTER HEAT & GLO
444 Swan Street, Richmond Ph:1300219875
Email: info@jetmastervic.com.au
Web: jetmastervic.com.au

HEAT & GLO
No one builds a better fire

PLEASE NOTE:

1. Heat capacity for all units is indicative, and dependent on a number of factors: (1) Room size (2) Ceiling height (3) Floor covering (4) Window coverings - blinds/curtains/double glazing (5) Other factors affecting heat loss
2. Refer to installation manuals for detailed specifications. In spite of our best efforts, pictures in this brochure may not be true representations of surround finish, fireplace finish and/or flames.