



NEW  
SEASON  
CATALOGUE

Manufacturing  
EXCELLENCE



Designed &  
Made in  
Australia

 nectre.



Established in 1980, the Nectre brand has long been recognised as a honest and reliable wood heater that produces stunning warmth and comfort from a timeless design with easy to operate features. Today, that Nectre warmth and comfort is enjoyed in well over 15 countries.

We are proud of our tradition, history and even more so to be one of the leading Australian wood heater manufacturers. We strive to make the very best heater for value while providing excellent all-round performance. We are driven daily to achieve manufacturing excellence and as such every Nectre wood heater meets or exceeds AS/NZS 4012:2014 and AS/NZS 4013:2014 standards.

A close-up photograph of a dark, textured surface, likely a wood heater. The word 'Nectre' is embossed on the surface in a stylized, lowercase font. The lighting is dramatic, highlighting the texture and the embossed text.

Nectre

# CONTENTS

<b>N15</b>	<b>1</b>
<b>N60</b>	<b>2</b>
<b>MK1</b>	<b>3</b>
<b>MK2</b>	<b>4</b>
<b>MK3</b>	<b>5</b>
<b>MEGA</b>	<b>6</b>
<b>INBUILT</b>	<b>7</b>
<b>N900</b>	<b>8</b>
<b>BAKERS OVEN</b>	<b>10</b>
<b>BIG BAKERS OVEN</b>	<b>11</b>
<b>SPECIFICATIONS</b>	<b>12</b>
<b>FLUE REQUIREMENT</b>	<b>14</b>
<b>GAS LOG</b>	<b>15</b>



Nectre wood heaters are available in both contemporary or traditional styles to suit any style of home. With different sizes available, as well as the option of our Bakers Ovens for those who love wood fire cooking, we are sure you will find the perfect wood heater for you and your home.







## Compact radiant heater that punches above its weight.

WOODSTACKER Model shown

# N15

Heat Output	■ 15kW Peak	(13kW ave)
Efficiency	■ 86% Peak	(79% ave)
Coverage	■ 120-160m <sup>2</sup>	(13-17 squares)
Emissions	■ 1.3 grams/kg	

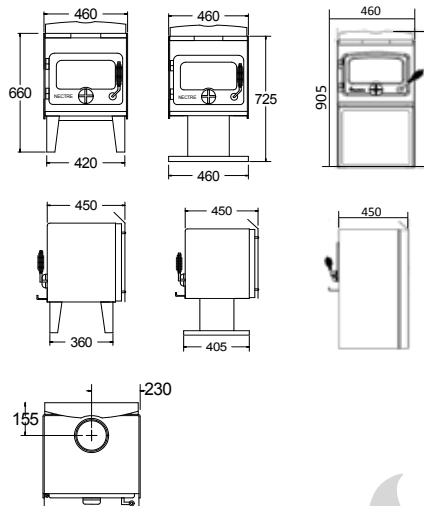


The Nectre N15 is a timeless radiant heater that provides fantastic warmth to around 140m<sup>2</sup> of living space. With a tiny footprint the N15 can produce a remarkable 15kW peak heat output, enough to combat those winter chills.

### Clearances

Refer to the Nectre Product Reference Guide in this brochure for flue and clearance information.

### Dimensions



### Features

- Cast iron door with ceramic glass
- 6.0 steel baffle plate
- 6.0 steel firebox
- Steel firebrick retainer
- Stay cool spring handle
- Finished in black metallic paint
- Door aperture : 250 x 345
- Firebox size : 370(w) x 320(d) x 320(h)
- Firebox cubic size : 0.038m<sup>3</sup>
- Weight : Up to 127kg
- Maximum log width : 330
- Firebricks : 9 of 230 x 115 x 38
- Flue spigot size : 150 (6")
- Optional side shields are available.
- Optional full size trivet is available.



All dimensions are in millimeters (mm) unless specified otherwise and are shown without side shields fitted (if available). In the interest of product development, Glen Dimplex Australia Pty Ltd reserve the right to change N15 product specifications without prior notice.



## Contemporary design with great performance.

CURVED Model shown

# N60

Heat Output	■ 13kW Peak	(11kW ave)
Efficiency	■ 84% peak	(73% ave)
Coverage	■ 130-170m <sup>2</sup>	(14-18 squares)
Emissions	■ 0.60 grams/kg	



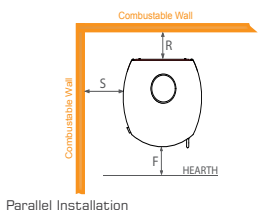
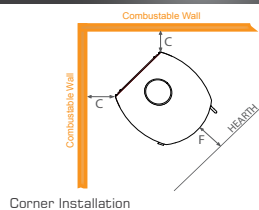
TILED



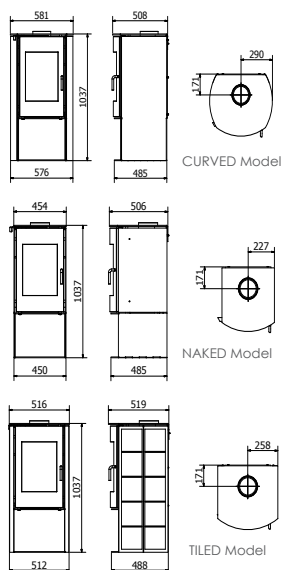
NAKED

The Nectre N60 is one of the cleanest burning wood heaters on the market. Together with great looks and easy to use functions the N60 is fast becoming a crowd favourite and fits beautifully in either a traditional or contemporary living area.

### Clearances



### Dimensions



### Features

- Steel door with ceramic glass
- 2 x 6.0 steel baffle plate
- 6.0 steel firebox
- Steel firebrick retainer
- Concealed ash-pan
- NATA approved wood storage
- Stainless Steel handle + extension
- Finished in black metallic paint
- Door aperture : 305 x 380
- Firebox size : 345(w) x 275(d) x 450(h)
- Firebox cubic size : 0.043m<sup>3</sup>
- Weight : 190kg
- Maximum log width : 305
- Firebricks : 4 of 270 x 175 x 25
- : 2 of 270 x 85 x 25
- Flue spigot size : 150 (6")

Model	S	R	F	C
Naked Model	450 450°	75 125°	300	225 225°
Tiled Model	285 240°	100 125°	300	125 125°
Curved Model	190 150°	100 150°	300	125 125°

Standard 150mm flue kit with 900mm stainless steel flue shield. \* Decromesh with 900mm inner reflector. Minimum hearth 720(w) X 740(d) (mm). F = In Front of the door opening.



All dimensions are in millimeters (mm) unless specified otherwise. In the interest of product development, Glen Dimplex Australia Pty Ltd reserve the right to change N60 product specifications without prior notice.



Traditional design with amazing output.



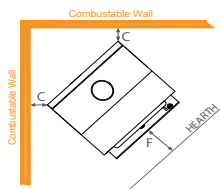
# MK1

Heat Output ■ 22kW Peak (19kW ave)  
 Efficiency ■ 81% Peak (73% ave)  
 Coverage ■ 170-200m<sup>2</sup> (18-22 squares)  
 Emissions ■ 0.95 grams/kg

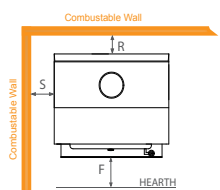
The Nectre Mk1 is one of the best performing radiant heaters for output, coverage and efficiency. The Mk1 is right at home in any living space while providing charm, warmth and comfort. Easy to operate features makes it one of our favourite heaters.



## Clearances



Corner Installation

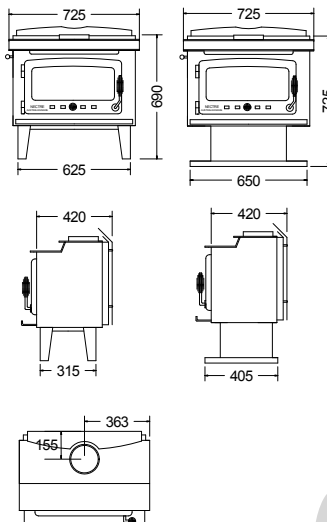


Parallel Installation

Flue Shielding	S	R	F	C
900mm rear flue shield	650 500*	140	400	500 300*
Decromesh with 900mm inner reflector	650 500*	140	400	500 275*

\* When fitted with optional side shields.  
 900 x 900mm hearth dimensions are the minimums only and may need to be extended to reach the wall behind the heater. F = In Front of the door opening.

## Dimensions



## Features

- Cast iron door with ceramic glass
- 1 x 6.0 steel baffle plate (lower)
- 1 x 5.0 steel baffle plate (upper)
- 6.0 steel firebox
- Steel firebrick retainer
- Stay cool spring handle
- Finished in black metallic paint
- Door aperture : 250 x 495
- Firebox size : 580(w) x 315(d) x 340(h)
- Firebox cubic size : 0.062m<sup>3</sup>
- Weight Legs : 115kg / Pedestal 120kg
- Maximum log width : 540
- Firebricks : 9 of 230 x 115 x 38
- : 2 of 230 x 55 x 38
- Flue spigot size : 150 (6")
- Optional side shields are available



All dimensions are in millimeters (mm) unless specified otherwise and are shown without side shields fitted (if available). In the interest of product development, Glen Dimplex Australia Pty Ltd reserve the right to change Mk1 product specifications without prior notice.





Fits beautifully in any living space.

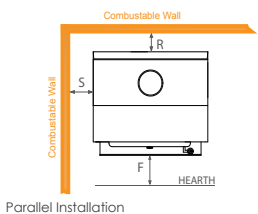
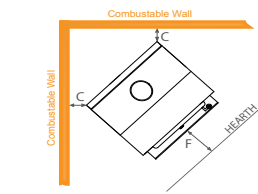
# MK2

Heat Output ■ 20kW Peak (18kW ave)  
 Efficiency ■ 81%<sup>^</sup>Peak (73% ave)  
 Coverage ■ 170-200m<sup>2</sup> (18-22 squares)  
 Emissions ■ 0.82 grams/kg

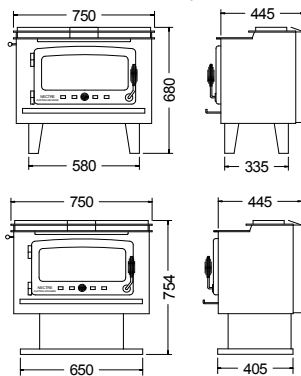


The Nectre Mk2 is a simple but elegant radiant/convection heater that circulates warmth effectively throughout any living space. Mk2 pushes out an impressive peak 20kW.

## Clearances



## Dimensions

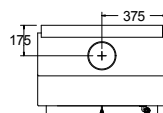


## Features

- Cast iron door with ceramic glass
- 1 x 6.0 steel baffle plate (lower)
- 1 x 5.0 steel baffle plate (upper)
- 6.0 steel firebox
- Steel firebrick retainer
- Stay cool spring handle
- Finished in black metallic paint
- Door aperture : 250 x 495
- Firebox size : 515(w) x 305(d) x 330(h)
- Firebox cubic size : 0.052m<sup>3</sup>
- Weight : Legs 140kg / Pedestal 160kg
- Maximum log width : 475
- Firebricks : 9 of 230 x 115 x 38
- : 2 of 230 x 55 x 38
- Flue spigot size : 150 (6")
- Optional 3 speed fan

Flue Shielding	S	R	F	C
900mm rear flue shield	450	125	400*	200
Decromesh with 900mm inner reflector	350	125	400*	125

\*400mm for Leg model / 350mm for Pedestal model.  
 900 x 900mm hearth dimensions are the minimums only and may need to be extended to reach the wall behind the heater. F = In Front of the door opening.



All dimensions are in millimeters (mm) unless specified otherwise. In the interest of product development, Glen Dimplex Australia Pty Ltd reserve the right to change Mk2 product specifications without prior notice.

<sup>^</sup> Efficiency is shown as peak during testing and with a fan. Average is 73% with fan.





3S Remote Fan

# Traditional design with outstanding features.



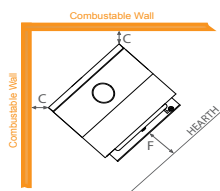
## MK3

Heat Output	■ 21kW Peak	(18kW ave)
Efficiency	■ 68% Peak	(62% ave)
Coverage	■ 240-270m <sup>2</sup>	(24-28 squares)
Emissions	■ 1.1 grams/kg	

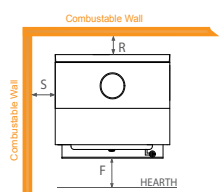


The Nectre Mk3 is built with an approved wood stack base together with deeper firebox which makes it not only look good but performs brilliantly as a radiant/convection hardwood heater. Standard remote control 3 speed fan is a welcome addition.

### Clearances



Corner Installation

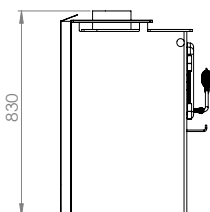
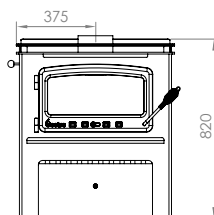
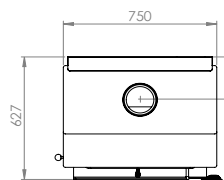


Parallel Installation

Flue Shielding	S	R	F	C
900mm rear flue shield	400	150	300	150
Decromesh with 900mm inner reflector	400	150	300	150
8" solid flue outer with DLR + 900x130mm shield	400	150	300	150

900 x 900mm hearth dimensions are the minimums only and may need to be extended to reach the wall behind the heater. F = In Front of the door opening.

### Dimensions



### Features

- Cast iron door with ceramic glass
- 1 x 12.0 steel baffle plate (lower)
- 1 x 6.0 steel baffle plate (upper)
- 6.0 steel firebox
- Steel firebrick retainer
- Stay cool spring handle
- Finished in black metallic paint
- Door aperture : 250 x 495
- Firebox size : 530(w) x 400(d) x 330(h)
- Firebox cubic size : 0.070m<sup>3</sup>
- Weight : 160kg
- Maximum log width : 540
- Firebricks : 11 of 230 x 115 x 38
- Flue spigot size : 150 (6")
- 3 Speed Remote Control Fan Standard



All dimensions are in millimeters (mm) unless specified otherwise. In the interest of product development, Glen Dimplex Australia Pty Ltd reserve the right to change Mk3 product specifications without prior notice.



**Powerful heat output  
with stylish good looks.**

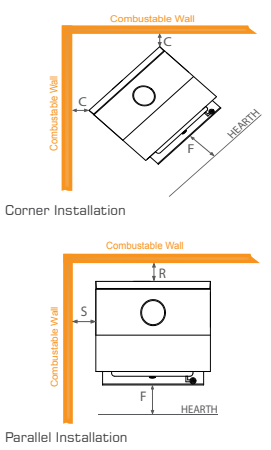
# MEGA

Heat Output ■ 35kW Peak (25kW ave)  
 Efficiency ■ 65% Peak^ (62% ave)  
 Coverage ■ 280-340m<sup>2</sup> (30-37 squares)  
 Emissions ■ 1.5 grams/kg

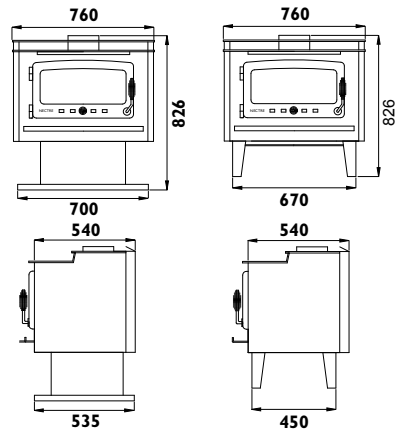


The MEGA is designed to cover larger living spaces and provide superb warmth from its radiant convection design. It fits well in both traditional and contemporary styles and can even come with an optional factory fitted central heating boiler for sustainable living.

## Clearances



## Dimensions



## Features

- Cast iron door with ceramic glass
- 1 x 5.0 steel baffle plate (upper)
- 1 x 12.0 steel baffle plate (lower)
- 6.0/8.0 steel firebox
- Steel firebrick retainer
- Stay cool spring handle
- Finished in black metallic paint
- Door aperture : 265 x 500
- Firebox size : 600(w) x 430(d) x 320(h)
- Firebox cubic size : 0.082m<sup>3</sup>
- Weight : Legs 170kg / Pedestal 180kg
- Maximum log width : 560
- Firebricks = 21 of 230 x 115 x 38
- = 4 of 175 x 115 x 38
- Flue spigot size : 150 (6")
- Optional 3 speed fan (manual)
- Optional factory fitted central heating boiler can be fitted.

Flue Shielding	S	R	F	C
900mm rear flue shield	875	200	300	450
Dacromesh with 900mm inner reflector	875	200	300	450

900 x 900mm hearth dimensions are the minimums only and may need to be extended to reach the wall behind the heater.  
 F = In Front of the door opening.



All dimensions are in millimeters (mm) unless specified otherwise. In the interest of product development, Glen Dimplex Australia Pty Ltd reserve the right to change MEGA product specifications without prior notice.

<sup>^</sup> Efficiency is shown as peak during testing and with a fan. Average is 62% with fan.





Form and function with a timeless style.



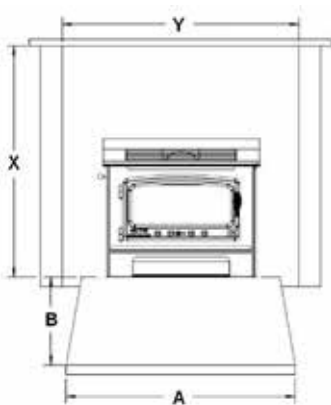
# INBUILT

Heat Output ■ 11kW peak (10kW ave)  
 Efficiency ■ 65% peak (60% ave)  
 Coverage ■ 120-160m<sup>2</sup> (13-17 squares)  
 Emissions ■ 0.94 grams/kg

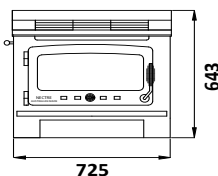
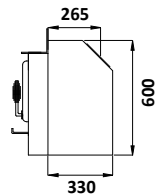
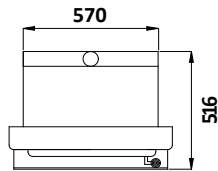


The Nectre Inbuilt delivers natural convection warmth with all the charm and comfort you expect from a Nectre. Nectre Inbuilt is an all-round performer with the style and easy to use functions and it will fit into most existing fireplaces.

## Clearances



## Dimensions



## Features

- Cast iron door with ceramic glass
- 6.0 steel baffle plate
- 6.0 steel firebox
- Stay cool spring handle
- Finished in black metallic paint
- Door aperture : 250 x 495
- Firebox size 470(w) x 330(d) x 320(h)
- Firebox cubic size : 0.050m<sup>3</sup>
- Weight : 120kg
- Maximum log width : 430
- Flue spigot size : 150 (6")
- Optional 3 speed fan (manual)

Flue Shielding	A	B	X	Y
Installation	900	600	1050	1075

(B) Hearth depth = 500mm in front of door opening. (600mm overall)

The Nectre Inbuilt must be installed into a masonry fireplace to comply with AS/NZS2918. All authorised Nectre Dealers will provide assistance with installation.



All dimensions are in millimeters (mm) unless specified otherwise. In the interest of product development, Glen Dimplex Australia Pty Ltd reserve the right to change Inbuilt product specifications without prior notice.



FREESTANDING WOODSTACKER Model shown





Our largest heater yet encapsulating the beauty of an open flame.



BUILT-IN Model shown

# N900

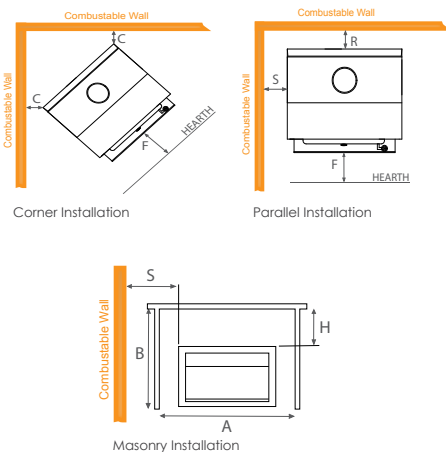
- Available as a
- freestanding woodstacker
  - built-in
  - masonry insert



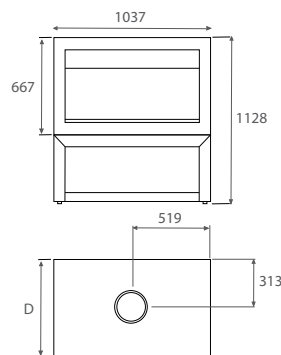
FREESTANDING WOODSTACKER

The Nectre N900 is one of the largest open burning wood heaters on the market. With it's versatility in installation; freestanding, freestanding woodstacker, built-in or masonry insert, the N900 can become the centrepiece of any room or undercover alfresco area.

## Clearances



## Dimensions



## Features

- Durable 3 piece cast iron grate
- 3 speed remote controlled fan
- Efficient twin heat exchange tubes
- Removable spark arrestor supplied as standard
- Ash tray
- 5mm thick steel firebox
- Brick lining insulated firebox
- Finished in black metallic paint
- No external zero clearance box needed for built-in installation
- Firebox for new or existing applications
- Optional freestanding base
- Firebox size : 1040(w) x 620(d) x 660(h)
- Maximum log width : 600
- Flue kit supplied with heater\*

Installation	S	R	F	C	A	B	H	D
Freestanding without base	500	100	500	25	-	-	-	625
Freestanding with woodstacker	500	100	300	25	-	-	-	625
Built-in (Zero Clearance)	550	-	-	-	-	-	-	608
Masonry Insert	550	-	-	-	1335	1400	750	608

\*Must be installed with manufacturers flue kit that is supplied with the unit. When installing the unit please refer to the instruction manual for important information about installation and hearth requirements.



All dimensions are in millimeters (mm) unless specified otherwise. In the interest of product development, Glen Dimplex Australia Pty Ltd reserve the right to change N900 product specifications without prior notice.



Show stopper performance and versatility.

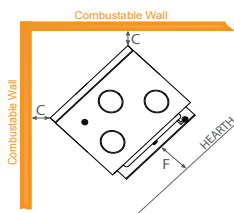
# BAKERS OVEN

Heat Output ■ 15kW Peak (11kW ave)  
Coverage ■ 75-120m<sup>2</sup> (8-13 squares)

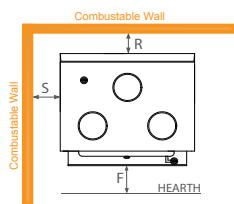


The Nectre Bakers Oven provides excellent warmth and cooking performance. With a small footprint it fits in just about any living space without being obtrusive. The cook top adds a warming or direct cooking option with removable rings.

## Clearances



Corner Installation

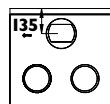
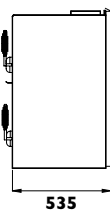
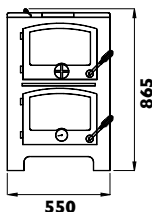


Parallel Installation

Flue Shielding	S	R	F	C
900mm rear flue shield	350	125	300	350

900 x 900mm hearth dimensions are the minimums only and may need to be extended to reach the wall behind the heater.  
F = In Front of the door opening.

## Dimensions



## Features

- Cast iron door with ceramic glass
- 6.0 steel firebox
- Steel firebrick retainer
- Stay cool spring handle
- Finished in black metallic paint
- Door aperture : 245 x 345
- Firebox size : 340(w) x 300(d) x 380(h)
- Firebox cubic size : 0.039m<sup>3</sup>
- Weight : 120kg
- Maximum log width : 300
- Firebricks : 3 of 230 x 115 x 38
- Flue spigot size : 150 (6")
- 2 x 150 removable direct cooking rings
- 6.0 Steel Cook Top
- Oven temperature thermometer
- Optional factory fitted domestic hot water booster



All dimensions are in millimeters (mm) unless specified otherwise. In the interest of product development, Glen Dimplex Australia Pty Ltd reserve the right to change Bakers Oven product specifications without prior notice.





Amazing warmth, fantastic food.

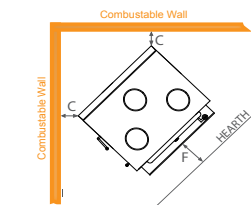
# BIG BAKERS OVEN

Heat Output ■ 18kW Peak (14kW ave)  
Coverage ■ 160-200m<sup>2</sup> (17-22 squares)

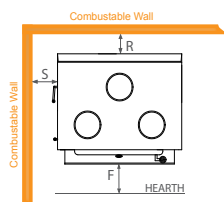


The Nectre Big Bakers Oven produces amazing radiant warmth and coverage. Designed with character and charm the Big Bakers Oven provides a spacious oven for those Sunday roasts. The cook top adds a warming or direct cooking option with removable rings.

## Clearances



Corner Installation

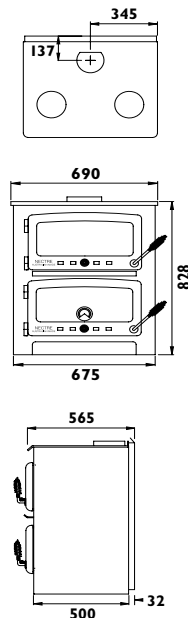


Parallel Installation

Flue Shielding	S	R	F	C
900mm Rear Flue Shield	325	125	300	275

900 x 900mm hearth dimensions are the minimums only an may need to be extended to reach the wall behind the heater. F = in Front of the door opening.

## Dimensions



## Features

- Cast iron door with ceramic glass
- 5.0 steel baffle plate
- 6.0/8.0 steel firebox
- Steel firebrick retainer
- Stay cool spring handle
- Finished in black metallic paint
- Door aperture : 250 x 495
- Firebox size : 485(w) x 295(d) x 300(h)
- Firebox cubic size : 0.043m<sup>3</sup>
- Weight : 220kg
- Maximum log width : 445
- Firebricks : 4 of 230 x 115 x 38
- : 2 of 250 x 70 x 50
- Flue spigot size : 150 (6")
- 2 x 150 removable direct cooking rings
- 6.0 Steel Cook top
- Oven temperature thermometer
- Optional factory fitted domestic hot water booster

All dimensions are in millimeters (mm) unless specified otherwise. In the interest of product development, Glen Dimplex Australia Pty Ltd reserve the right to change Big Bakers Oven product specifications without prior notice.



# Nectre Product Reference Guide



		N15			N60			Mk1		Mk2		Mk3	
Type		Radiant			Radiant / Convection			Radiant		Radiant / Convection		Radiant / Convection	
Style		Traditional			Contemporary			Traditional		Traditional		Traditional	
Base		Legs	Woodstacker	Pedestal	Naked	Curved	Tiled	Legs	Pedestal	Legs	Pedestal	Woodstacker	
Colour		Black			Black			Black		Black		Black	
Tested with Fan		No			No			No		No	Yes	Yes	
Performance	Output (Kilowatts)	Peak	15			13			22		20		21
		Ave.	13			11			19		18		18
	Emissions	1.3			0.60			0.95		0.82		1.1	
	Efficiency (%)	Peak	86			84			81		67	81	68
Ave.		79			73			73		61	73	62	
Coverage	squares	13-17			14-18			18-22		18-22		24-28	
	m <sup>2</sup>	120-160			130-170			170-200		170-200		240-270	
Specification	Heater Size	kg	90	90	90	170	190	180	115	120	140	160	160
		(w)	460	460	460	454	581	516	725	725	750	750	750
		(d)	450	450	450	506	508	519	420	420	445	445	627
		(h)	660	965	725	1037	1037	1037	690	725	680	754	820
	Log Size (max)	mm	330			305			540		475		540
	Firebox size	m <sup>2</sup>	0.038			0.043			0.062		0.052		0.070
	Fabricated	Steel	6			6			6		6		6 & 8
Clearance	Hearth (min)	(w)	900	900	900	720			900		900		900
		(d)	900	900	900	740			900		900		900
		Thickness	15	15	15	7.5			15		15		15
	900mm Rear Flue Shield	Rear	175	175	175	75	100	100	140		125		150
		Side	750	750	750	450	190	285	650		450		400
		Corner	750	750	750	225	125	125	500		200		150
		Front	300	300	300	300			400		400	350	300
	900mm Rear Flue Shield + Side Shields	Rear	125	240	125				140				
		Side	450	550	450				500				
		Corner	225	300	225				300				
		Front	300	300	300				400				
	Decro-mesh with 900mm Inner Reflector	Rear	175	175	175	125	150	125	140		125		150
		Side	750	750	750	450	150	240	650		350		400
		Corner	750	750	750	225	125	125	500		125		150
		Front	300	300	300	300			400		400	350	300
	Decro-mesh with 900mm Inner Reflector + Side Shields	Rear	175	240	175				140				
		Side	450	550	450				500				
Corner		225	300	225				275					
Front		300	300	300				400					
200mm Solid Flue Outer with DRL and a 900x130mm shield	Rear	175	240	175								150 <sup>†</sup>	
	Side	750	550	750								400 <sup>†</sup>	
	Corner	750	300	750								150 <sup>†</sup>	
	Front	300	300	300								300 <sup>†</sup>	
Options	Fan (manual)	3 Speed									Yes		
	Fan (remote)	3 Speed											Standard
	Shields	Side	Yes						Yes				
	Trivet	Cast	Yes										

<sup>†</sup>An additional 900 x 130mm shield is required with this flue install configuration.



4 designed air-holes cast into the Nectre door that make it easy to light a fire for the first time or reigniting a fire that is still warm. The following Nectre heaters have this design - Mk1, Mk2, Mk3 MEGA, Big Bakers Oven and the Inbuilt. When lighting a fire the top air slide and the Easystart Air Control should be fully open. Once the fire is established, it is recommended to close the Easystart Air Control.



# Nectre Product Reference Guide

		MEGA		Inbuilt	Bakers Oven		
		Radiant / Convection		Radiant/Convection	Radiant		
		Traditional		n/a	Traditional		
		Legs	Pedestal	n/a	Original	BIG	
		Black		Black	Black		
		Tested with Fan		No	No		
		No	Yes	No	No		
Performance	Output (Kilowatts)	Peak	35	11	15	18	
		Ave.	25	10	11	14	
	Emissions		1.2	0.94	n/a		
Efficiency (%)	Peak		63	65	n/a		
	Ave.		57	62	n/a		
Coverage	squares		30-37	13-17	8-13	17-22	
	m <sup>2</sup>		280-340	120-160	75-120	160-200	
Specification	Heater Size	kg	170	180	120	120	220
		(w)	760	760	570	550	690
		(d)	540	540	330	535	532
		(h)	826	826	590	865	828
	Log Size (max)	mm	560		430	300	445
	Firebox size	m <sup>3</sup>	0.082		0.050	0.039	0.043
	Fabricated	Steel	6 & 8		6	6	6 & 8
Clearance	Hearth (min)	(w)	900		900	900	900
		(d)	900		600	900	900
		Thickness	15		45	12	15
	900mm Rear Flue Shield	Rear	200			125	125
		Side	875			350	325
		Corner	450			350	275
		Front	300		500	300	300
	900mm Rear Flue Shield + Side Shields	Rear					
		Side					
		Corner					
	Decro-mesh with 900mm Inner Reflector	Rear	200				
		Side	875				
		Corner	450				
	Decro-mesh with 900mm Inner Reflector + Side Shields	Rear					
		Side					
		Corner					
	200mm Solid Flue Outer with DRL and a 900x130mm shield	Rear					
		Side					
		Corner					
Front							
Options	Fan (manual)	3 Speed	Yes		Yes		
	Fan (remote)	3 Speed					
	Shields	Side					
	Trivet	Cast					

		N900		
		Open fronted		
		Contemporary		
		Firebox only	Woodstacker	
		Black		
		Colour		
		No	Yes	
Specification	Heater Size	(w)	1037	1037
		(d)	625	625
		(h)	667	1128
	Log Size (max)	mm	600	
Firebox size	m <sup>3</sup>	0.075		
Fabricated	Steel	5		
Clearance	Hearth (min)	(w)	1285	1285
		(d)	1200	1000
		Thickness	5-50**	5-50**
	N900 FS flue kit	Rear	100	100
		Side	500	500
		Corner	25	25
		Front	500***	300***
Fan (remote)	3 Speed	Yes		

		N900		
		Open fronted		
		Contemporary		
		Built-In (ZC)	Masonry Insert	
		Black		
		Colour		
		No	Yes	
Specification	Heater Size	(w)	1037	1037
		(d)	608	608
		(h)	649	649
	Log Size (max)	mm	600	
Firebox size	m <sup>3</sup>	0.075		
Fabricated	Steel	5		
Clearance	Hearth (min)	(w)	1285	1285
		(d)	908-1108*	908-1108*
		Thickness	5-50**	5-50**
	N900 ZC flue kit	Side	550	550
		Front	500***	300-500***
Fan (remote)	3 Speed	Yes		

\*Dependent on how far the base of the firebox is from the floor

\*\*Dependent on material used

\*\*\*May be reduced to 300mm if firebox is raised 450 above the floor, equivalent to woodstacker base cabinet



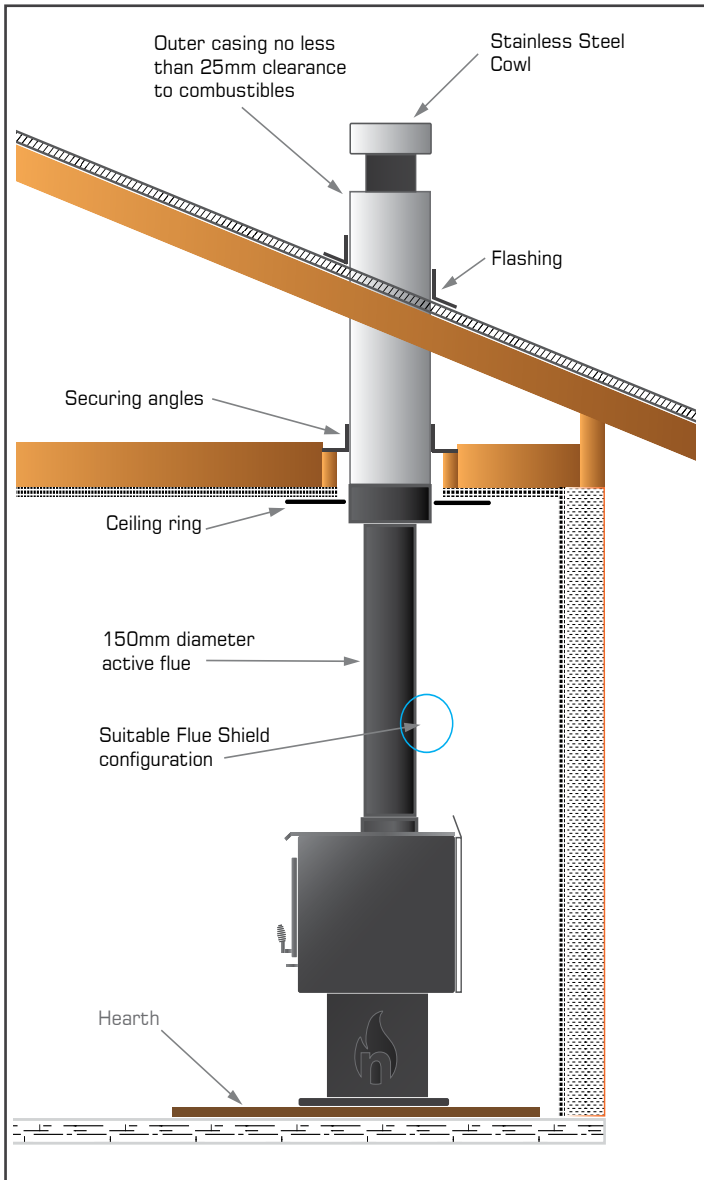
For the very best performance out of a Nectre wood heater, we recommend only burning dry seasoned hardwood. Pre-season maintenance check and a possible flue clean will ensure excellent Nectre performance. Avoid using salt borne drift wood, pine and/or chemically treated woods. Up to 10 hour burn time can be achieved with all Nectre wood heaters (excluding N900 models).

NOTE: Nectre Bakers Oven & Big Bakers Oven emissions and efficiency are shown as n/a, they are classified as a cooking stove and are exempt. All measurements are in millimeters (mm) and are correct at time of print. Glen Dimplex Australia Pty Ltd reserves the right to change or alter product specifications as required.

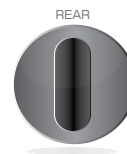
# FLUE REQUIREMENT



The flue system used when installing a Nectre must comply with the current installation standards of AS/NZS2918. Full instructions on the installation of the flue will be supplied with the flue kit and these must be adhered to. The minimum exit height from the top of the floor protector (hearth) must not be less than 4.6mt and the minimum exit height above the roof line of the roof ridge as detailed in the instructions.



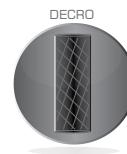
## Suitable Flue Shield Configuration



### REAR SHIELD

900mm length, minimum 160° arc, stainless steel rear flue shield, can be painted black.

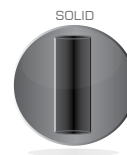
Models suitable for  
N15 | Mk1 | Mk2 | Mk3 | Mega  
N60 | Bakers Oven's



### DECROMESH

Decromesh extending from heater to dropbox with 900mm inner reflector.

Models suitable for  
N15 | Mk1 | Mk2 | Mk3 | Mega  
N60



### SOLID

200mm Solid flue outer with DLR and 900mm x 130mm shield

Model suitable for  
Mk3 | N15



Decromesh Locating Ring (DLR) is supplied standard with Mk3. Can also be purchased as a option if required for other models.

It is recommended that a qualified person/s carry out the installations in accordance to all specifications contained within this document, and with all relevant building codes. Glen Dimplex Australia Pty Ltd reserves the right to change or alter drawings, specifications or dimensions without prior notice. The information contained within the document was correct at time of printing.



4.6m Flue from the hearth plus the minimum above the roof line of the roof ridge.



Stylish looks and surprising performance.

# GAS LOG

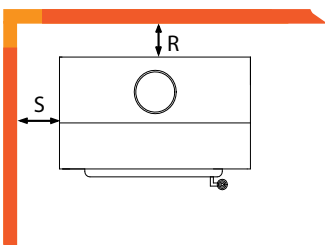
- High Consumption ■ 28mj/h (NG)
- Low Consumption ■ 20mj/h (NG)
- Output ■ 5.1 kilowatts (kw)



Styled by tradition, the Nectre Gas Log Fire provides constant convection warmth and comfort from natural gas. Easy to use features and control makes the Nectre Gas Log Fire a welcome addition to any living space.

## Clearances

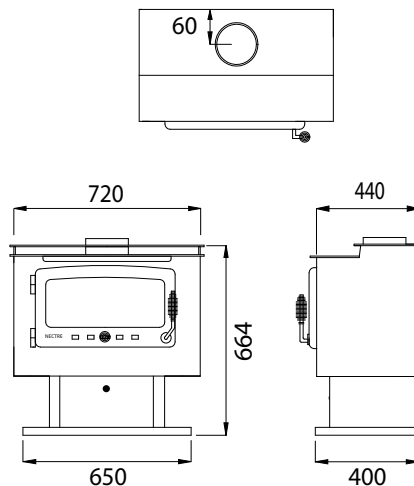
Parallel Installation



Flue Shielding	S	R
Standard Flue	75	75

Can be placed directly on a combustible floor with no hearth.

## Dimensions



## Features

- Cast iron door with ceramic glass
- 3.0/4.0 steel construction
- Electronic ignition
- 2 Speed fan
- Double glazed door
- Finished in black metallic paint
- Weight : 95kg
- Log Kit : 3
- Spigot size : 95 O/D

Available models



Natural Gas



All dimensions are in millimeters (mm) unless specified otherwise. In the interest of product development, Glen Dimplex Australia Pty Ltd reserve the right to change Gas Log Fire product specifications without prior notice.

Manufacturing  
EXCELLENCE



Designed &  
Made in  
Australia

“We make great wood heaters to  
suit contemporary and traditional living”



nectre.com



Member of



Australian  
Home Heating  
ASSOCIATION



Pecan Engineering Pty Ltd proudly supports the activities of  
Landcare Australia through its membership of the AHHA.

Glen Dimplex Australia Pty Ltd  
1340 Ferntree Gully Rd, Scoresby  
Victoria 3179  
T: 1300 556 816 | F: 1800 058 900

glendimplex.com.au



Nectre is a registered trademark of  
Glen Dimplex Australia Pty Ltd, all rights reserved.

NECBRO19\_2

Authorised Nectre Dealer

