

WOOD FIRES





Why Choose Regency?

An exceptional fire, custom elegance and controllable heat are just a few reasons to make a Regency fire part of your family.

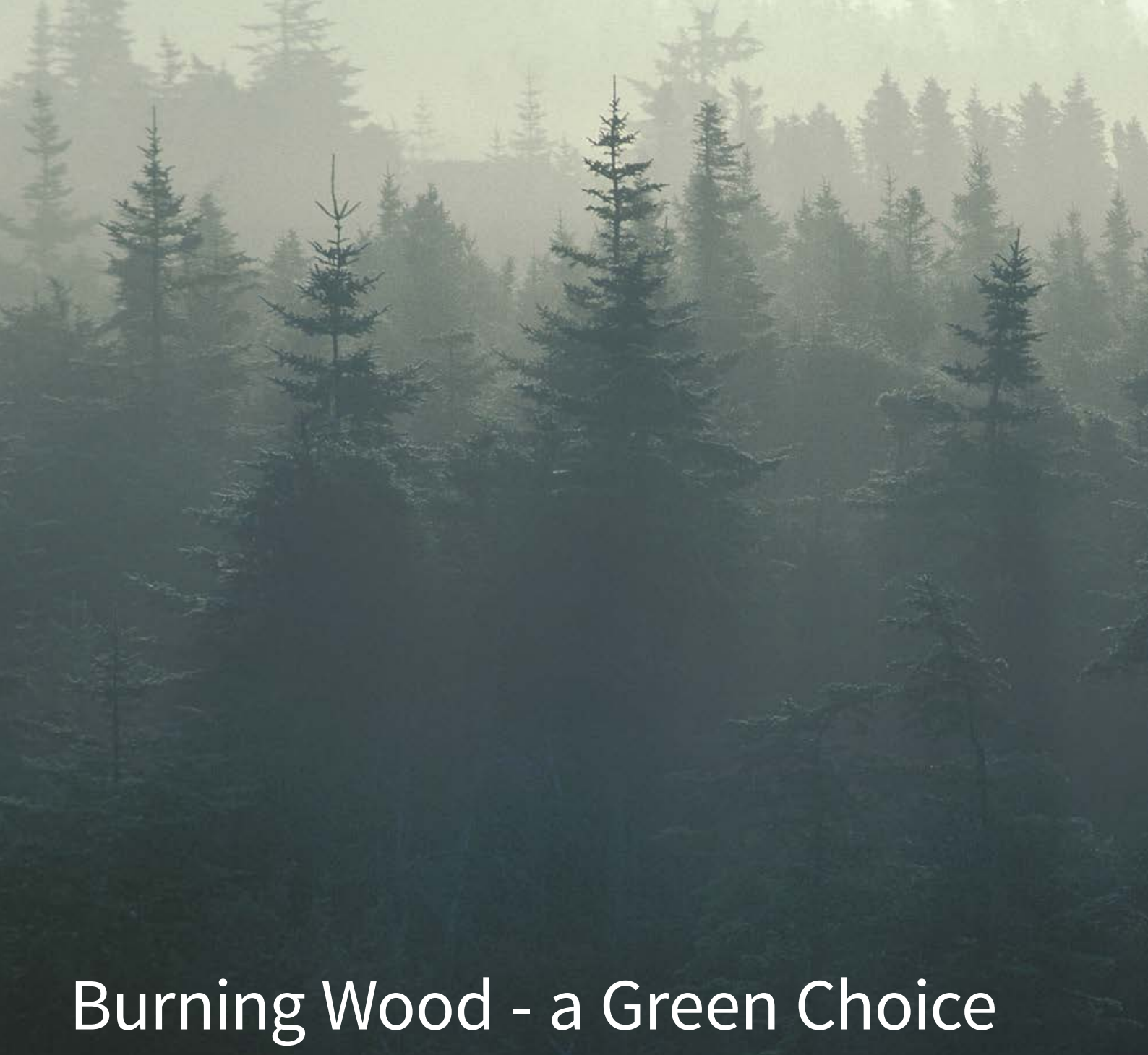
In 1979, I founded Regency Fireplace Products with a mission to produce the finest fireplace products available anywhere. As a result, Regency has been honoured with awards for exceptional aesthetics and performance and is known as the premium brand around the world. We have been dedicated to providing Australia & New Zealand with Regency fires for over 20 years: committed to creating products that promote comfort and peace of mind.

I am so confident in the quality workmanship, the finest materials and durable heavy-duty construction invested in each and every product, that I offer a Limited 15 Year Warranty. Invite the comfort, efficiency and style of a Regency wood fire into your home and enjoy quality time - I guarantee it.



Robert Little
Founder & CEO





Burning Wood - a Green Choice

Wood is affordable

Reduce your dependence on high priced, non-renewable home heating fuels by burning wood. Turn your fire down and enjoy comforting warmth in your main living area with a Regency wood product. Whether you buy your wood or collect it yourself, you will notice the savings within its first year.

Renewable Resource

Wood is a renewable natural resource - well-managed forests are a renewable, sustainable source of energy that helps us reduce greenhouse gas emissions and be less dependent on oil & gas.

Wood is Carbon Neutral

As trees grow they absorb carbon dioxide from the atmosphere. When trees die and are left to decompose in the forest or burn in forest fires the carbon stored in the trees is released in the atmosphere as carbon dioxide.

Burning firewood produces the same amount of carbon dioxide as it has absorbed during its life cycle - making wood burning carbon neutral.

Certified

All Regency Wood Stoves and Fireplaces have been tested and certified to the strictest Australian Clean Air Standards.



Vancouver (F2402) with cast legs and door with optional nickel trim accents.

Vancouver

Wood Fire

Choose the Vancouver and bring the wood fire warmth to your home. Perfect for heating medium sized living areas (approx. 200m²), this wood fire has all the modern conveniences: efficient heat, optional ash drawer, and easy operation; while keeping up with tradition.

STANDARD FEATURES

- Heats approx. 200+ sq.m*
- Large glass viewing area (380x215mm)
- Single rod draft control
- Steel firebox with brick lining
- Airwash system
- Brushed nickel accent kit (hinge caps & handles)
- Low emissions: 1.9g/kg

OPTIONS

- Cast iron door in black, or with nickel trim accents
- Cast iron legs in black or brushed nickel
- 2-speed fan
- Ash drawer
- Convector airmate

**Varies depending on home floor plan, house layout, heat loss of the house and quality/moisture content of wood.*



Narrabri wood fire (F100B).

Narrabri®

Wood Fire

The Narrabri is a perfect fit for smaller rooms providing heat that fully adjustable with the easy to use, single rod draft control. With a steel firebox and quality firebrick lining, this heater will provide your home with warmth for years to come.

STANDARD FEATURES

- Heats approx. 80-120 sq.m*
- Glass viewing area (340x250mm)
- Single rod draft control
- Strong bakelite handles
- Steel firebox with firebrick lining
- Airwash system
- Adjustable leg bolts for levelling on uneven surfaces
- Emissions 2.4g/kg

**Varies depending on home floor plan, house layout, heat loss of the house and quality/moisture content of wood.*



Cardinia wood fire (F150B).

Cardinia®

Wood Fire

Designed to heat small to medium sized living areas, the simple modern lines of the Cardinia suit a wide range of decors. This radiant heater boasts several features, including: a large glass viewing area, the ability to heat approximately 150-170 sq.m*, and front-to-back or side-to-side log placement.

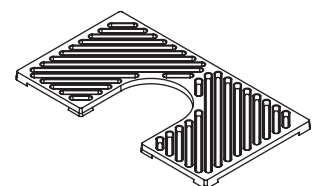
STANDARD FEATURES

- Heats approx. 150-170 sq.m*
- Large glass viewing area (458x260mm)
- Single rod draft control
- Strong bakelite handles
- Steel firebox with firebrick lining
- Airwash system
- Low emissions: 0.5g/kg (new model)

OPTIONS

- Steel baffle
- Cast iron liners
- Cast iron cook top

Cardinia cast cook top



*Varies depending on home floor plan, house layout, heat loss of the house and quality/moisture content of wood.



Renmark wood fire (F150B).

Renmark®

Wood Fire

Its contemporary design and large viewing area sets the Renmark apart from traditional freestanding wood fires. This convection heater, with optional 2-speed fan, is designed for medium sized living areas and can easily heat approximately 170-200 sq.m.

STANDARD FEATURES

- Heats approx. 170-200 sq.m*
- Large glass viewing area (458x260mm)
- Single rod draft control
- Strong bakelite handles
- Steel firebox with firebrick lining
- Airwash system
- Low emissions: 0.5g/kg (new model)

OPTIONS

- 2-speed fan
- Steel baffle
- Cast iron liners

**Varies depending on home floor plan, house layout, heat loss of the house and quality/moisture content of wood.*



Alterra (F175B) shown with optional stainless steel side panels.

Alterra®

Wood Fire

A wood burning stove with modern appeal! The contemporary design of Regency's Alterra wood stove puts the focus on the brilliant glowing fire. With an impressive viewing area, and a convenient firewood storage area, the Alterra is perfectly proportioned for visual pleasure and functional convenience.

STANDARD FEATURES

- Heats approx. 190-240 sq.m*
- Large glass viewing area (461x260mm)
- Single rod draft control
- Strong bakelite handles
- Steel firebox with firebrick lining
- Reversible door
- Airwash system
- 2-speed fan
- Low emissions: 0.5g/kg (new model)

OPTIONS

- Steel baffle
- Cast iron liners
- Side panels in black or stainless steel

**Varies depending on home floor plan, house layout, heat loss of the house and quality/moisture content of wood.*



Albany wood fire (F200B).

Albany[®]

Wood Fire

The Albany sets the standard for the industry's most reliable, well-constructed freestanding wood fire; providing beautiful wood heat to an average living area of 190-240 sq.m*. Load wood front-to-back or side-to-side for optimum convenience, then sit back and enjoy the warmth.

STANDARD FEATURES

- Heats approx. 190-240 sq.m*
- Large glass viewing area (458x260mm)
- Single rod draft control
- Strong bakelite handles
- Steel firebox with cast iron lining
- 8mm steel baffle
- Airwash system
- Powerful 3-speed fan
- Low emissions: 0.5g/kg (new model)

**Varies depending on home floor plan, house layout, heat loss of the house and quality/moisture content of wood.*



Hume wood fire (F250B).

Hume

Wood Fire

The Hume provides a dramatic wide glass view of an incredible fire while warming larger living areas. The firebox is specially designed to maximize heat output and is fitted with a 3-speed fan for extra circulation. The resulting heating capacity is an area of approximately 300 sq.m.*

STANDARD FEATURES

- Heats approx. 300 sq.m*
- Large glass viewing area (577x277mm)
- Single rod draft control
- Strong bakelite handles
- Steel firebox with cast iron lining & a firebrick base
- 8mm steel baffle
- Airwash system
- Powerful 3-speed fan
- Low emissions: 1.5g/kg (new model)

**Varies depending on home floor plan, house layout, heat loss of the house and quality/moisture content of wood.*



Gosford wood fire (F300B).

Gosford

Wood Fire

Impressive in size and performance, the Gosford delivers incredible high efficiency heat for maximum comfort. The sleek styling is complemented by Regency's tradition of reliability and leading edge wood burning technology. The Gosford produces more heat using less wood by extending the burn.

STANDARD FEATURES

- Heats approx. 300-350 sq.m*
- Large glass viewing area (576x275mm)
- Single rod draft control
- Strong bakelite handles
- Steel firebox with firebricks lining the base
- Cast iron liners
- Airwash system
- Powerful 3-speed fan
- Low emissions: 1.5g/kg (new model)
- 8mm steel baffle

**Varies depending on home floor plan, house layout, heat loss of the house and quality/moisture content of wood.*

UP TO
30 HOURS
BURN TIME



Richmond wood fire (F5102B).

Richmond

Extra Large Hybrid Catalytic Wood Fire

The Regency Richmond and Kingston Wood Freestandings let you enjoy the impressive heat performance of Regency's largest wood fires with today's clean modern styling. These catalytic wood fires deliver both function and style that feature sleek lines, a contemporary door design and large clean viewing area of a roaring wood fire.

A broad heating range means flexibility

The loading capacity combined with the controllable burn rate of our Eco-Boost technology provides flexibility to heat smaller homes with less reloading and large homes with the maximum capacity available.

Hybrid Catalytic Technology

The catalytic combustor permits the wood to burn slowly delivering up to 24 hours of heat or more* with a single load of wood. Fuel is utilized to its full potential with minimal emissions and high efficiency!

* Length of burn time and output depend upon wood species used, moisture content of wood, elevation, climate conditions and installation.

UP TO
24 HOURS
BURN TIME



Kingston wood fire (F3502B).

Kingston

Large Hybrid Catalytic Wood Fire

STANDARD FEATURES

- Catalytic Stove with Eco-Boost Technology
- Single lever bypass control to engage catalyst
- Single-lever air control
- Steel firebox with firebrick lining
- Rear heat deflector to reduce clearances
- Airwash system helps keep the glass clean
- Discreet ashlip
- Contemporary cast iron door
- 170 degree opening door for easy loading
- Easy to read thermometer
- Emissions Kingston: 1.0g/kg
- Emissions Richmond: 1.4g/kg

OPTIONS

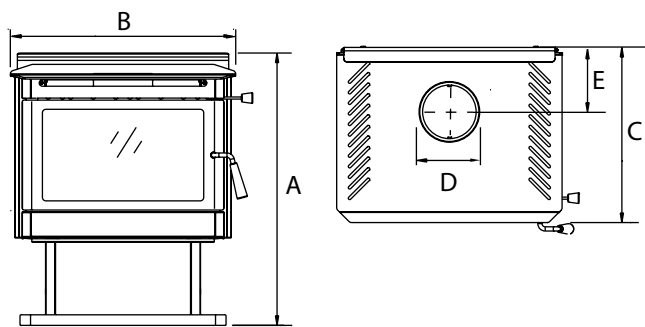
- Extra large ash drawer with cover
- 2-speed fan
- Convector airmate
- Outside air-kit (F3502B only)

SPECIFICATIONS (mm)

	Narrabri	Vancouver	Cardinia	Renmark	Alterra	Albany	Hume	Gosford	Richmond	Kingston
Heating capacity	120m ²	200m ²	170m ²	200m ²	240m ²	240m ²	300m ²	350m ²	250m ²	230m ²
Efficiency	59%	63%	69%	69%	70%	70%	65%	65%	73%	84%
Emissions	2.37g/kg	1.9g/kg	0.5g/kg	0.5g/kg	0.5g/kg	0.5g/kg	1.5g/kg	1.5g/kg	1.4g/kg	1.0g/kg
Average heat output	6kW	9.9kW	11kW 10 kW - no fan	11kW 10 kW - no fan	11kW	11kW	13kW	13kW	9.3kW	9.3kW

Where fitted thermostatically controlled fans do not activate until fire heats up and may take 20-30 mins.

NOTE: Heating capacity and any burn times are a guide only and can be affected by some or all of the following examples: drafts under doorways or between floorboards, large glass areas not covered by heavy drapes/curtains, green, wet or damp wood, ceiling heights greater than 2.4 metres or cathedral type ceilings, poor or no insulation.

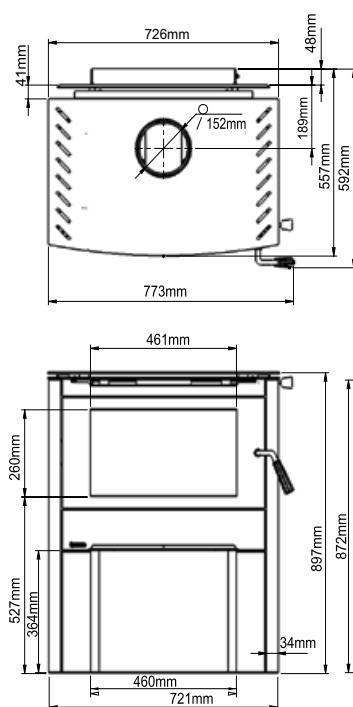


Dimensions	A*	B	C**	D	E
Vancouver	845	610	695	152	168
Cardinia	692	585	463	152	180
Renmark	712	640	497	152	183
Albany	792	688	482	152	194
Hume	859	769	539	152	170
Gosford	874	794	570	152	167
Richmond	1010	737	792	178	181
Kingston	914	660	768	152	225

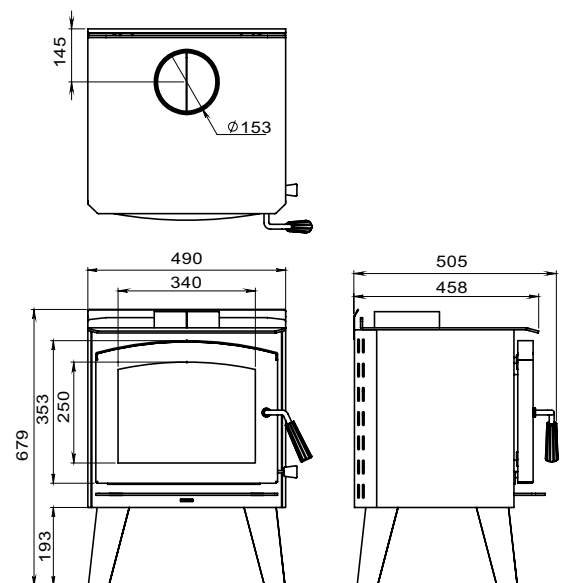
* Measured to top of flue collar for height (Vancouver, Richmond, Kingston)

** Including Ash Lip (Vancouver, Richmond, Kingston)

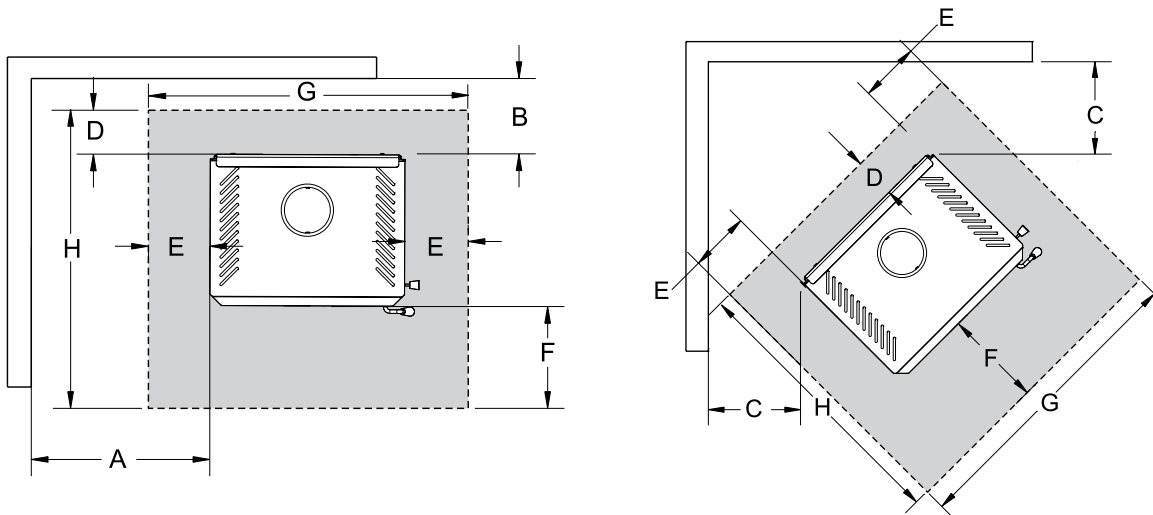
ALTERRA



NARRABRI



CLEARANCES TO COMBUSTIBLE MATERIALS



CLEARANCES

Residential Installation			A	B	C	D	E	F	G	H
Narrabri	Standard Default Kit (3)		480	200	300	200	200	300	850	950
Vancouver	Standard Default Kit (2)	with AirMate	450	125	150	152	200	300	1010	1120
		with Deflector	450	150	225	152	200	300	1010	1145
Cardinia	Standard Default Kit (1)		700	225	450	192	147	450	880	1105
	AHD Special Kit		750	250	450	192	147	450	880	1105
Renmark	Standard Default Kit (1)		400	100	175	100	120	350	880	914
	AHD Special Kit		450	100	175	100	120	350	880	914
Alterra	Standard Default Kit (1)		475	160	175	160	78	300	875	969
	AHD Special Kit		475	160	175	160	78	300	875	969
Albany	Standard Default Kit (1)		400	100	75	100	96	350	880	932
	AHD Special Kit		400	100	125	100	96	350	880	932
Hume	Standard Default Kit (2)		400	180	200	181	123	400	1015	1120
	AHD Special Kit		450	300	200	181	123	400	1015	1120
Gosford	Standard Default Kit (1)		390	160	200	160	123	380	1015	1080
	AHD Special Kit	- Refer to Manual	420	220/280	200	220	123	380	1015	1140
Richmond		with AirMate or Rear Deflector	305	203	100	0	203	400	1143	1194
Kingston		with AirMate or Rear Deflector	250	150	100	0	200	300	1060	1000

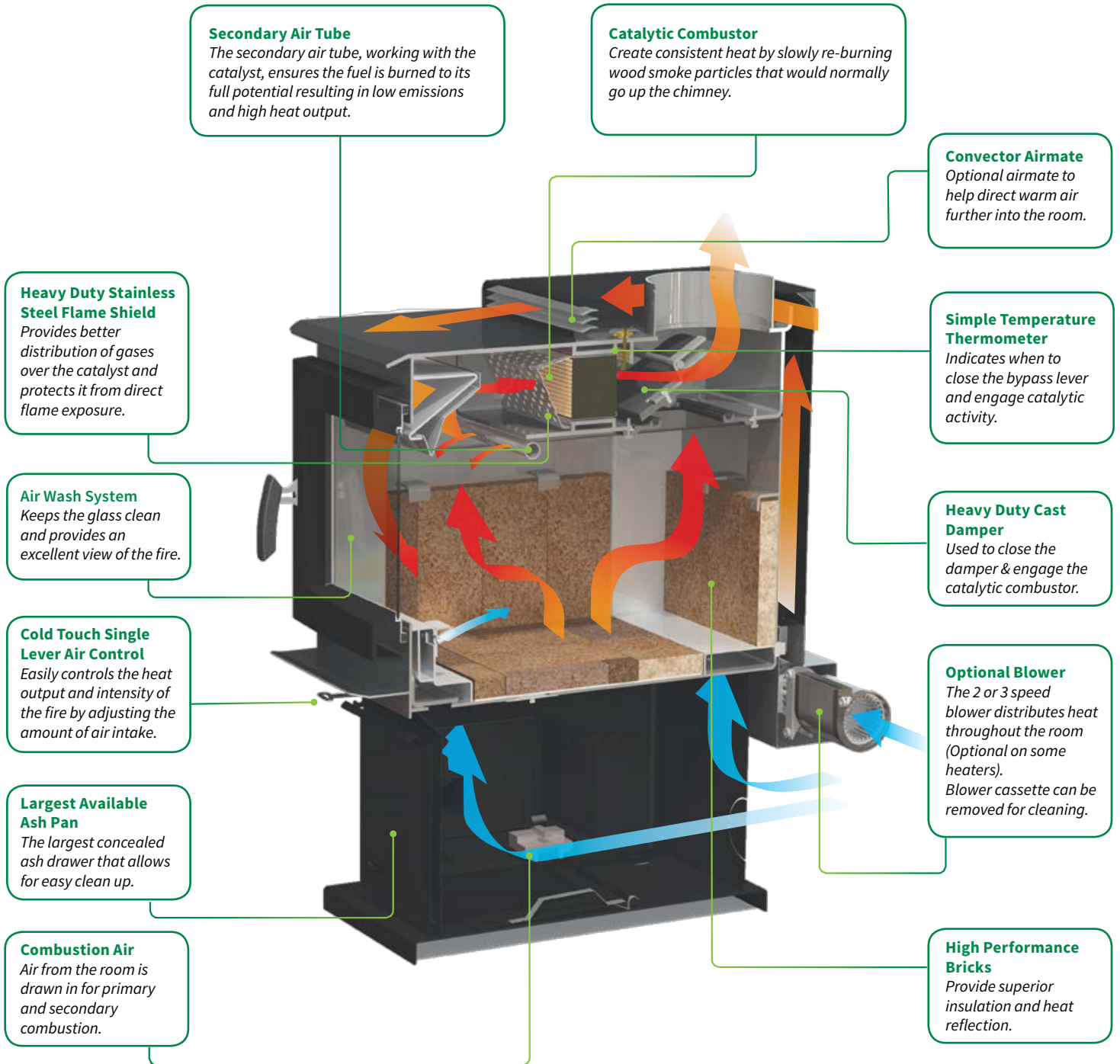
Note (1) Standard Default Kit used for clearances includes 1 x 900mm length of 130 degree stainless between active flue and 2 lengths of decromesh.

Note (2) Standard Default Kit only required includes 2 lengths of decromesh.

Note (3) Standard Default Kit only required includes 1 length of decromesh.

This is a guide - always refer to installation manual for specifications.

ECO-BOOST TECHNOLOGY



for your nearest dealer:
www.regency-fire.com.au
 or call 1 800 081978

Fireplace Products Australia Pty Ltd.
 1 Conquest Way,
 Hallam VIC 3803
 Australia
 Phone 1 800 081 978
 Fax 03 9799 7822
 Email: sales@regency-fire.com.au

Distributor WA
 Air Group Australia
 28 Division St.
 Welshpool WA 6106
 Australia
 Phone 08 9350 2200

your Regency dealer

Disclaimer: Appearance of flames varies with installation and fuel type.

© 2016 FPI Fireplace Products International Ltd. Regency®, Albany®, Alterra®, Bellerive®, Berwick®, Cardinia®, Narrabri®, and Renmark® are the registered and/or proprietary trademarks of FPI Fireplace Products International Ltd. All rights reserved. (02/16)
 Part no. 944-296