

Mansfield™ | Wood See-Through Fireplace

There are 2 sides to every fire. This see-through gives you 2x the viewing area and 2x the control. Regency now provides an option to choose 2 rooms that benefit from this wood heater. Designed to not only meet, but exceed the very latest Australian requirements for emissions and efficiency, this is the latest in heating technology.

STANDARD FEATURES

- Heats approx. 100+ sq.m* (no fan)
- Heats approx. 200 sq.m* (fans fitted) using ducting kits
- Large see-through glass viewing area (790mm x 310mm)
- Draft control, accessible on each side, with airwash
- Removable door handle tool
- Wood loading ability, on each side
- Stainless steel andirons
- 5mm steel firebox – lined with high quality firebrick
- Zero clearance box included
- Low emissions: 1.3 g/kg
- 63% efficiency

OPTIONS

- Slim line finishing trims available (30mm & 50mm)
- Base frame kit – raises unit 300mm on sturdy steel frame
- Heat distribution kit with flexible ducting, up to 2 can be used
- Outside air kit with flexible ducting
- Regency triple skin, zero clearance, wood fire flue kit available (must be used with this appliance)

**Heating capacity and any burn times are a guide only and can be affected by some or all of the following examples: drafts under doorways or between floorboards, large glass areas not covered by heavy drapes/curtains, green, wet or damp wood, ceiling heights greater than 2.4 metres or cathedral type ceilings, poor or no insulation.*





Mansfield shown with 50mm finishing trim and mandatory ventilation grill.



Mansfield shown with 30mm finishing trim.

Montrose | Large Wood Fireplace

Designed for modern living, the Regency Montrose will add ambience and enjoyment to any room. The large viewing glass with black etched edge provides an exceptional view of the fire whilst complementing the décor of any home.

The Montrose is designed to fit into a custom built wall without a brick fireplace or chimney ensuring it can be featured in any room. As a slow combustion heater the unit can be controlled to maximize heat output as well as wood usage. Designed to not only meet, but exceed the very latest Australian requirements for emissions and efficiency, this is the latest in heating technology.

STANDARD FEATURES

- Heats approx. 100+ sq.m* (no fan)
- Heats approx. 200 sq.m* (fans fitted) using ducting kits
- Large glass viewing area (790mm x 310mm)
- Single draft control with airwash
- Removable door handle tool
- 5mm steel firebox – lined with high quality firebrick
- Stainless steel andiron
- Clean front trim
- Zero clearance box included
- Low emissions: 1.2 g/kg
- 62% efficiency

OPTIONS

- Black 4 sided fascia
- Slim line finishing trims available (15mm & 50mm)
- Base frame kit – raises unit 300mm on sturdy steel frame
- Heat distribution kit with flexible ducting, up to 2 can be used
- Outside air kit with flexible ducting
- Triple skin, zero clearance, wood fire flue kit available

**Heating capacity and any burn times are a guide only and can be affected by some or all of the following examples: drafts under doorways or between floorboards, large glass areas not covered by heavy drapes/curtains, green, wet or damp wood, ceiling heights greater than 2.4 metres or cathedral type ceilings, poor or no insulation.*





Montrose shown with clean front trim.



Montrose shown with 4 sided fascia.



Berwick wood insert.

Berwick® | Medium Wood Insert

The Berwick wood fire is a contemporary styled wood inbuilt in a convenient size that is ideal for medium sized living areas. The Berwick is designed for fireplace openings that were previously thought too small for other wood heaters. You can also create your own fireplace using the Regency approved zero clearance box.

STANDARD FEATURES

- Heats approx. 180+ sq.m*
- Large glass viewing area (458 x 260mm)
- Single rod draft control
- Strong bakelite handles
- Steel firebox with firebrick lining
- Airwash system
- Black 3-sided fascia
- 2-speed fan
- Low emissions: 0.6 g/kg (new model)
- 61% efficiency

OPTIONS

- Zero clearance kit
- Steel baffles
- Cast iron liners

**Heating capacity and any burn times are a guide only and can be affected by some or all of the following examples: drafts under doorways or between floorboards, large glass areas not covered by heavy drapes/curtains, green, wet or damp wood, ceiling heights greater than 2.4 metres or cathedral type ceilings, poor or no insulation.*



Bellerive wood insert.

Bellerive® | Large Wood Insert

Designed with lifestyle in mind, the Bellerive wood fire is the ideal choice for a large family or living area with the added benefit of being developed to fit comfortably into large existing fireplaces. Most of the heat generated in Regency wood inbuilts does not escape up the chimney but is kept in your cozy home.

STANDARD FEATURES

- Heats approx. 250+ sq.m*
- Large glass viewing area (595 x 290mm)
- Single rod draft control
- Strong bakelite handles
- Steel firebox with cast iron lining & a firebrick base
- Airwash system
- Black 3-sided fascia
- 2-speed fan
- Low emissions: 0.8 g/kg
- 65% efficiency

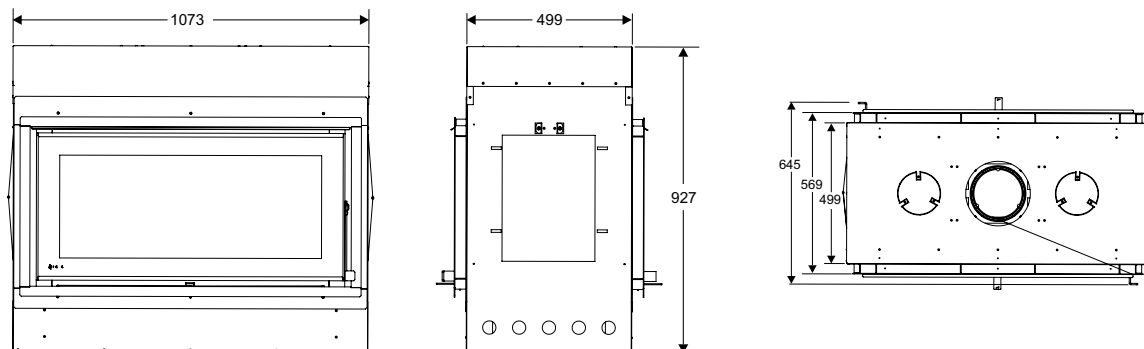
OPTIONS

- Zero clearance kit

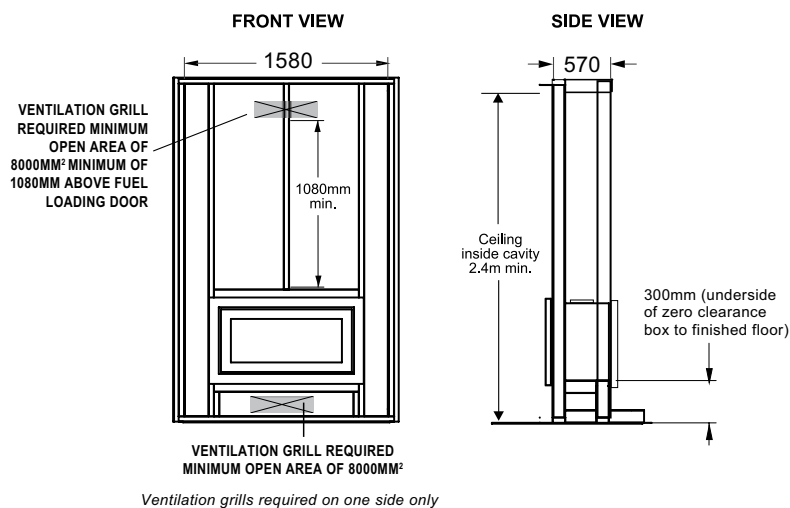
**Heating capacity and any burn times are a guide only and can be affected by some or all of the following examples: drafts under doorways or between floorboards, large glass areas not covered by heavy drapes/curtains, green, wet or damp wood, ceiling heights greater than 2.4 metres or cathedral type ceilings, poor or no insulation.*

Specifications (mm)

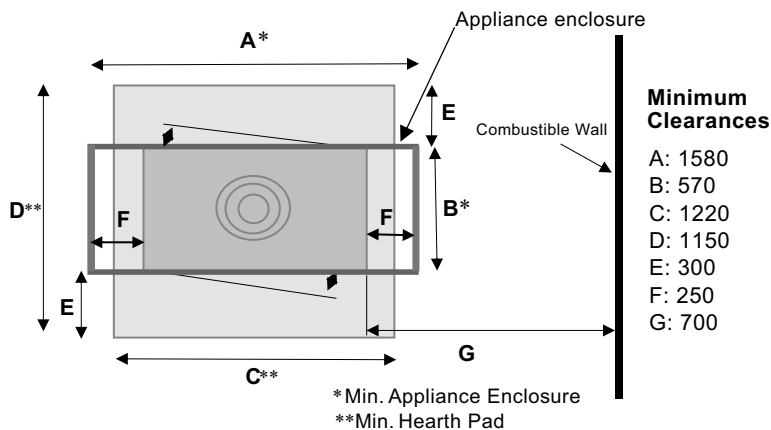
MANSFIELD



FRAMING



CLEARANCES

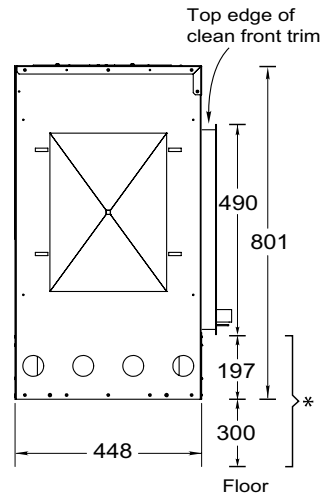
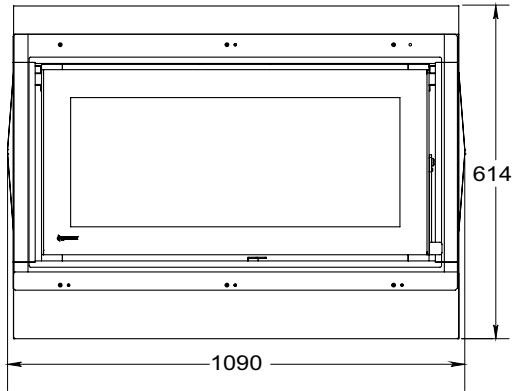


Note: Heating capacity and any burn times are a guide only and can be affected by some or all of the following examples: drafts under doorways or between floorboards, large glass areas not covered by heavy drapes/curtains, green, wet or damp wood, ceiling heights greater than 2.4 metres or cathedral type ceilings, poor or no insulation.

All product specifications are subject to change without notice. Before installing refer to the relevant product manual for full and up to date information. Product pictures are a guide only, all wood fires must be installed as per AS 2918 :2001. All Regency wood fires exceed stringent joint Australian and New Zealand Standards ASNZS 4012/4013 (2014). Not all products are available at all outlets.

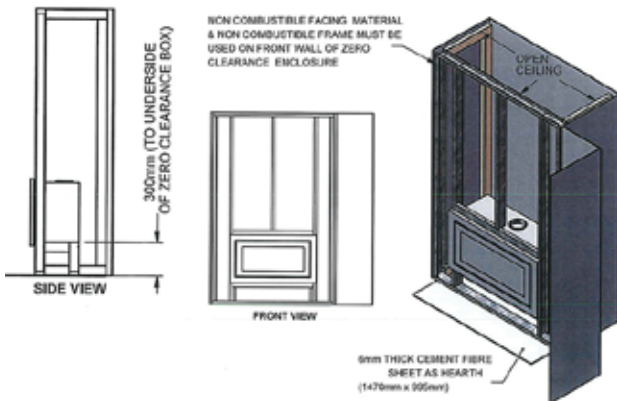
MONTROSE

with standard clean front trim

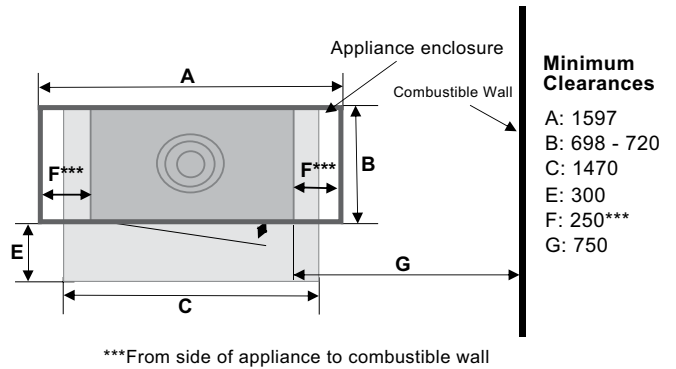


*Note: Finishing material underneath clean front trim to floor includes base support of 300mm, therefore minimum 497 mm is required.

FRAMING



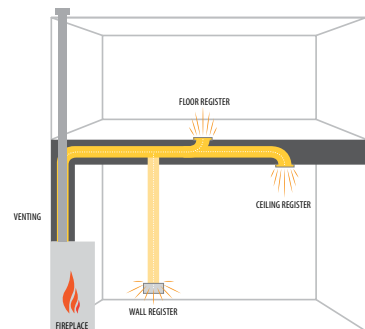
CLEARANCES



HEAT DISTRIBUTION

MANSFIELD & MONTROSE

Increase the effectiveness of your fireplace by dispersing warm air from the fireplace to remote locations in the same room or other rooms in your home by using the heat distribution kit.

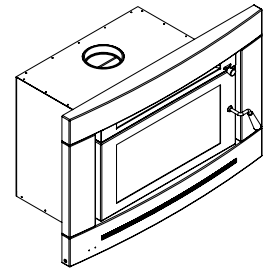
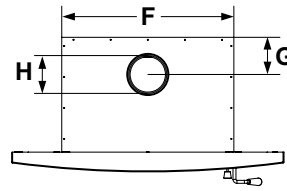
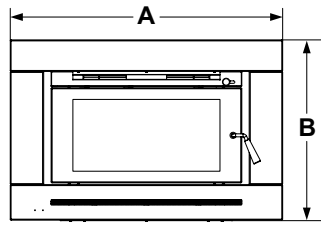
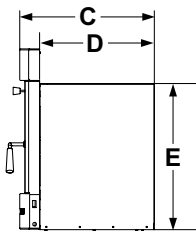


Note: Heating capacity and any burn times are a guide only and can be affected by some or all of the following examples: drafts under doorways or between floorboards, large glass areas not covered by heavy drapes/curtains, green, wet or damp wood, ceiling heights greater than 2.4 metres or cathedral type ceilings, poor or no insulation.

All product specifications are subject to change without notice. Before installing refer to the relevant product manual for full and up to date information. Product pictures are a guide only, all wood fires must be installed as per AS 2918 :2001. All Regency wood fires exceed stringent joint Australian and New Zealand Standards ASNZS 4012/4013 (2014). Not all products are available at all outlets.

Specifications (mm)

BERWICK & BELLERIVE

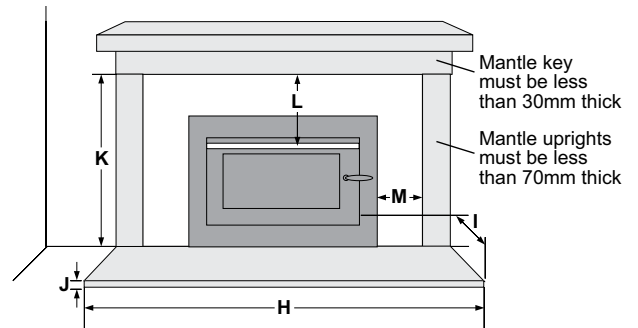


| Unit Dimensions | A | B | C | D | E | F | G | H |
|-----------------|------|-----|-----|-----|-----|-----|-----|-----|
| Bellerive | 1100 | 730 | 544 | 464 | 590 | 695 | 150 | 153 |
| Berwick | 940 | 698 | 479 | 415 | 585 | 637 | 177 | 153 |

| Minimum Fireplace Opening | Width | Height | Depth |
|---------------------------|-------|--------|-------|
| Bellerive | 699 | 597 | 468 |
| Berwick | 640 | 589 | 420 |

| Masonry Chimney Hearth Clearances | H | I | J | K | L | M |
|--------------------------------------|------|-----|-----|------|-----|----|
| Bellerive | 1017 | 400 | 110 | 1200 | 600 | 30 |
| Berwick | 875 | 350 | 110 | 1185 | 600 | 30 |

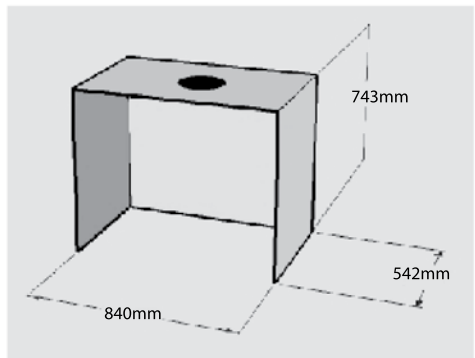
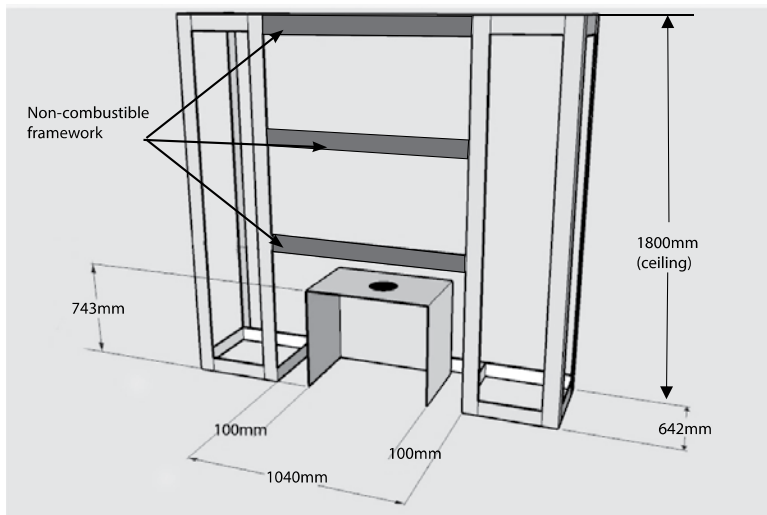
| Zero Clearance Hearth Dimensions | H | I | J |
|-------------------------------------|------|-----|----|
| Bellerive | 1017 | 820 | 30 |
| Berwick | 875 | 570 | 24 |



Note: Hearth clearances can be reduced by raising the heater above the hearth.

ZERO CLEARANCE DIMENSIONS TO COMBUSTIBLE MATERIALS

ZERO CLEARANCE BOX DIMENSIONS



Ceiling requires 100mm airgap where flue penetrates (minimum 450mm diameter cutout).

ALL FRAMING MATERIAL (WHERE SHADED)
MUST BE NON-COMBUSTIBLE

IMPORTANT: Non-combustible sheeting of a minimum thickness of 9mm must be used on the front face of the enclosure.

Note: The Bellerive and Berwick are approved for zero clearance installations – please see manual for exact instructions. It is important to understand and check local regulations prior to commencing installation.

Note: Heating capacity and any burn times are a guide only and can be affected by some or all of the following examples: drafts under doorways or between floorboards, large glass areas not covered by heavy drapes/curtains, green, wet or damp wood, ceiling heights greater than 2.4 metres or cathedral type ceilings, poor or no insulation.

All product specifications are subject to change without notice. Before installing refer to the relevant product manual for full and up to date information. Product pictures are a guide only, all wood fires must be installed as per AS 2918 :2001. All Regency wood fires exceed stringent joint Australian and New Zealand Standards ASNZS 4012/4013 (2014). Not all products are available at all outlets.

Burning Wood - a Green Choice



WOOD IS AFFORDABLE

Reduce your dependence on high priced, non-renewable home heating fuels by burning wood. Turn your fire down and enjoy comforting warmth in your main living area with a Regency wood product. Whether you buy your wood or collect it yourself, you will notice the savings within its first year.

RENEWABLE RESOURCE

Wood is a renewable natural resource - well-managed forests are a renewable, sustainable source of energy that helps us reduce greenhouse gas emissions and be less dependent on oil & gas.

WOOD IS CARBON NEUTRAL

As trees grow they absorb carbon dioxide from the atmosphere. When trees die and are left to decompose in the forest or burn in forest fires the carbon stored in the trees is released in the atmosphere as carbon dioxide. Burning firewood produces the same amount of carbon dioxide as it has absorbed during its life cycle - making wood burning carbon neutral.

CERTIFIED

All Regency Wood Stoves and Fireplaces have been tested and certified to the strictest Australian Clean Air Standards.



HEAT DISTRIBUTION

You'll be happy with your Regency for years to come, our 15 years Limited Warranty guarantees it. Not only have we invested in quality workmanship, the finest materials and durable heavy-duty construction but we have carefully selected a dealer network that is committed to your satisfaction. All Regency wood fires pass stringent Australian testing standards. We know that you will be as proud of your Regency as we are. Refer to owner's manual for details.



for your nearest dealer visit:
regency-fire.com.au
or call 1 800 081 978



Fireplace Products Australia Pty Ltd.
1 Conquest Way, Hallam VIC 3803
Australia
Phone: 1 800 081 978
Fax: 03 9799 7822
Email: sales@regency-fire.com.au

Distributor WA
Air Group Australia
28 Division St.
Welshpool WA 6106
Australia
Phone: 08 9350 2200

your Regency dealer

Disclaimer: Appearance of flames varies with installation and fuel type.

©2019 FPI Fireplace Products International Ltd. Regency®, Bellerive®, Berwick® are the registered and/or proprietary trademarks of FPI Fireplace Products International Ltd. All rights reserved. (03/19)
Part no. 944-297